


# MONTREAL

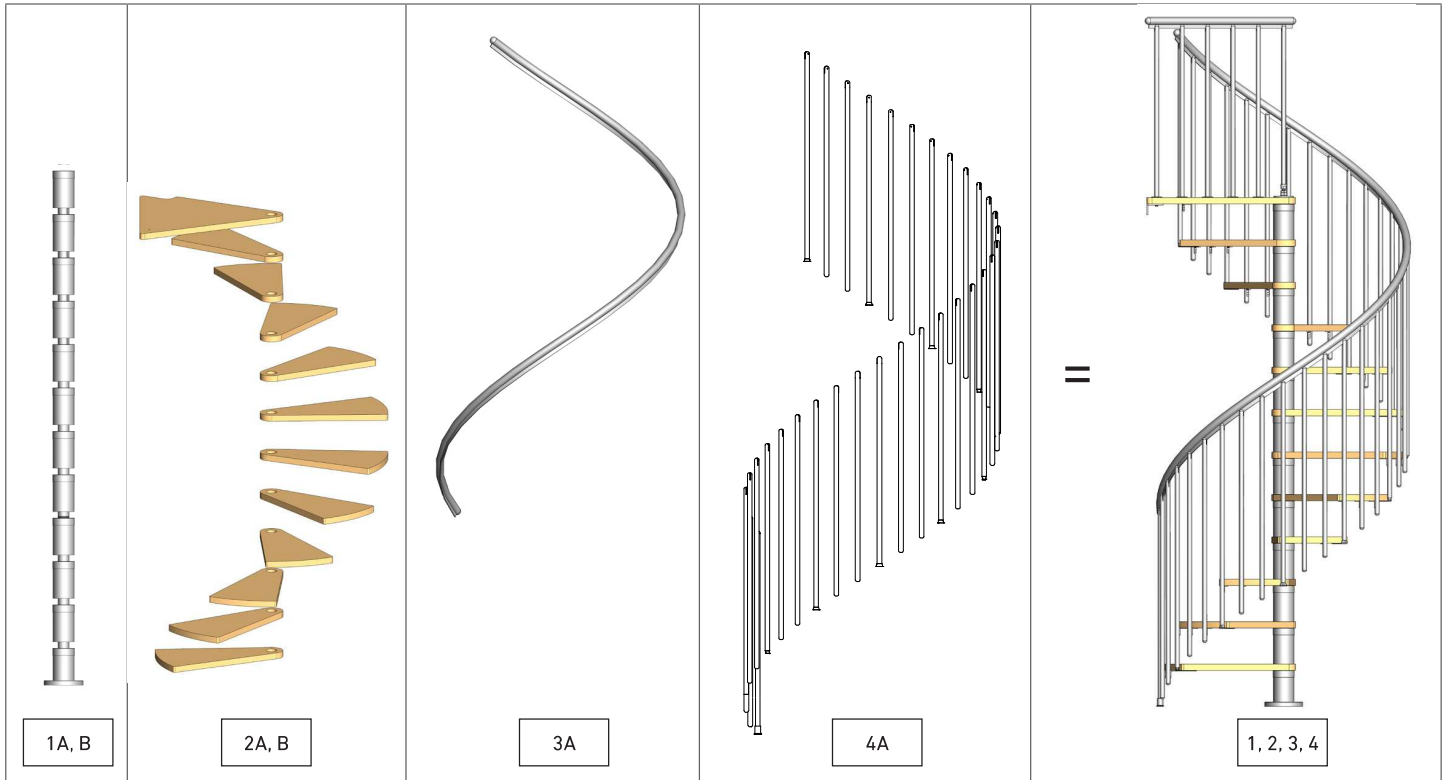
Montréal **1A** → 1A, 1B, 2A, 2B, 3A, 4A ect.

71200 AL

Center Column, grey  
Center Konstruktion, 12 Steigungen, grau  
Colonne centrale, gris



5 768580 712003

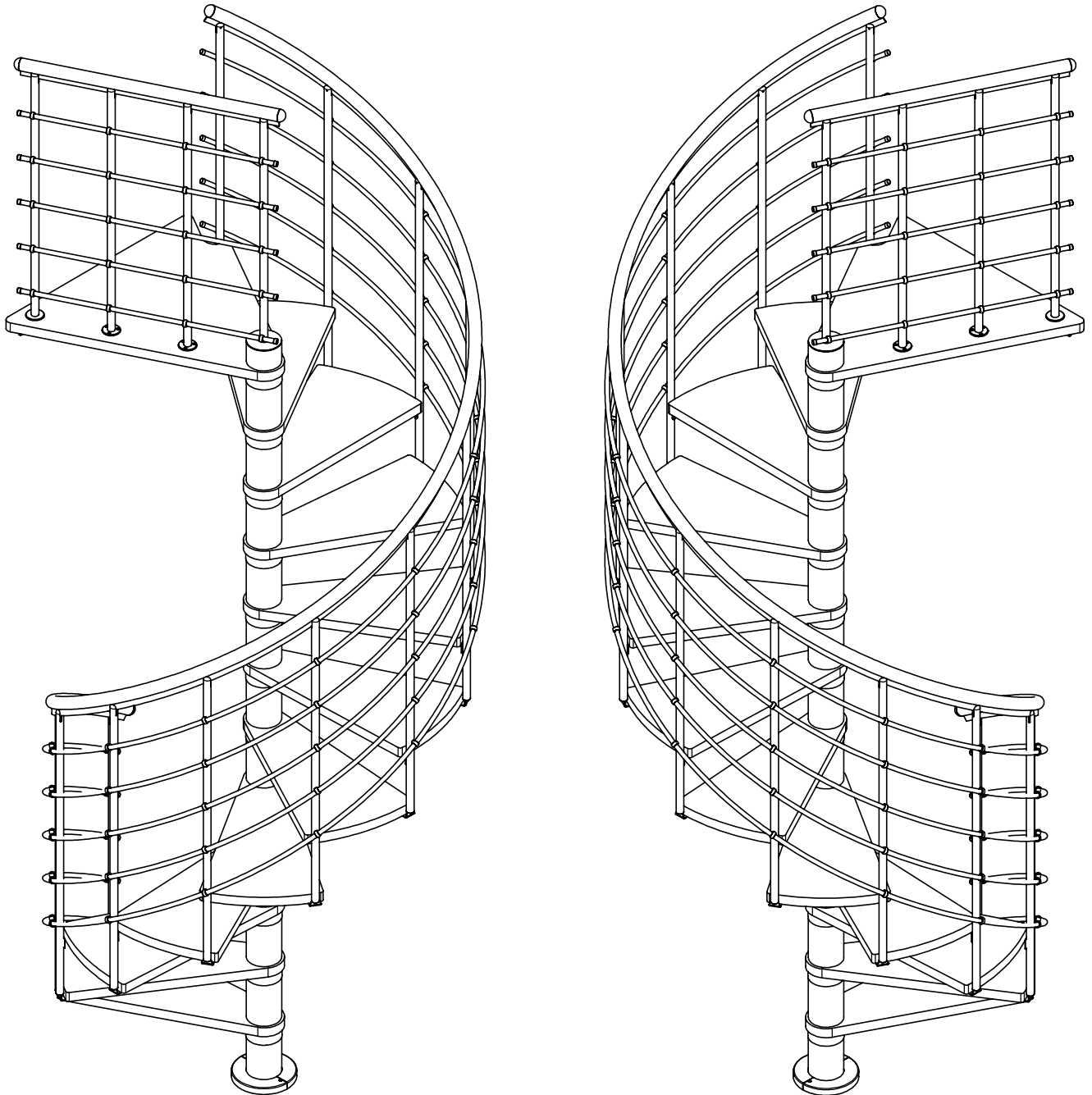


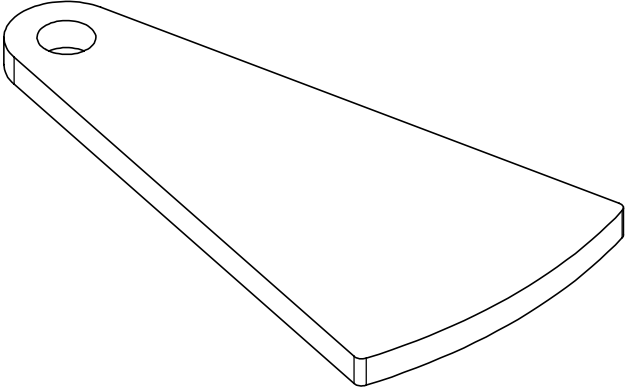

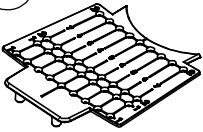
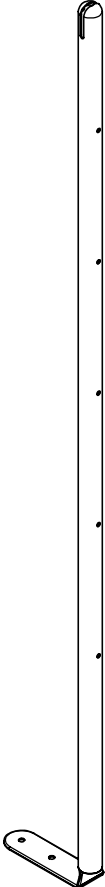


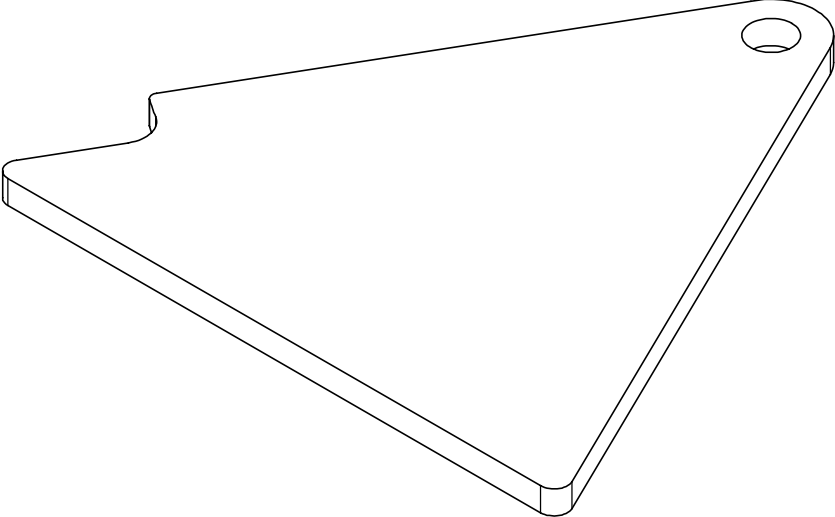



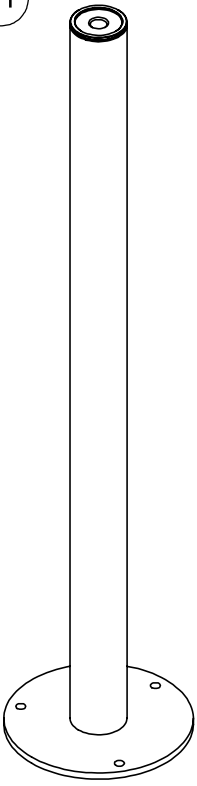
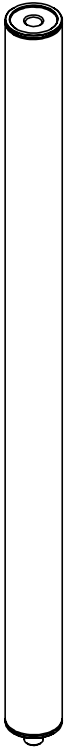

No / Non / Nej =


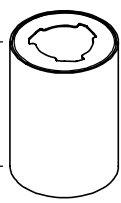
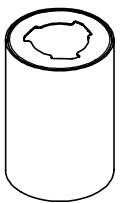
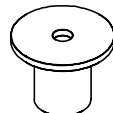
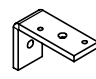
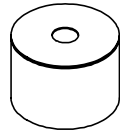
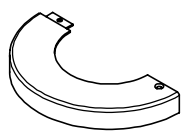


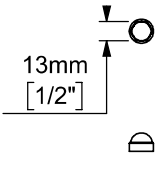
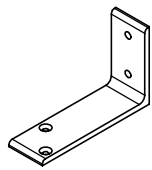
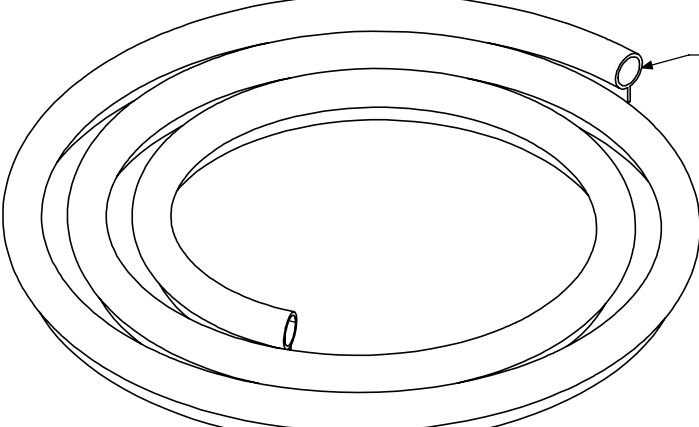

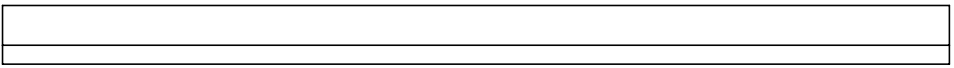



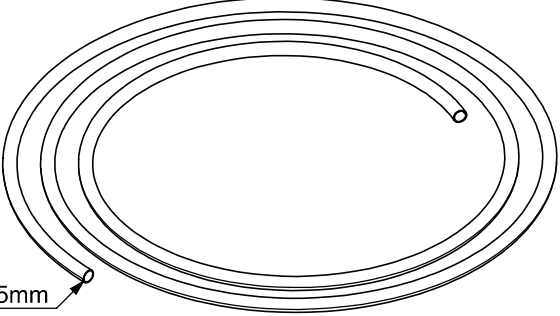
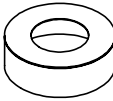


# MONTREAL


## Style 10/15



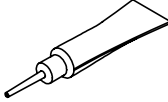
















<p>1</p> 	<p>3</p>  <p>K1-71231 RAL 9006 K1-71431 RAL 7016 K1-71631 RAL 9016</p> <p>4</p>  <p>K1-71030</p>	<p>5</p>  <p>K1-71235 RAL 9006 K1-71435 RAL 7016 K1-71635 RAL 9016</p>	<p>6</p>  <p>K1-71225 RAL 9006 K1-71425 RAL 7016 K1-71625 RAL 9016</p> <p>7</p>  <p>K1-32224 RAL 9006 K1-71421 RAL 7016 K1-32424 RAL 9016</p>		
<p>2</p> 					
<p>8</p>  <p>K2-71265 RAL 9006 K2-71465 RAL 7016 K2-71665 RAL 9016</p>	<p>9</p>  <p>K2-71255 RAL 9006 K2-71455 RAL 7016 K2-71655 RAL 9016</p>	<p>10</p>  <p>K2-71245 RAL 9006 K2-71445 RAL 7016 K2-71645 RAL 9016</p>	<p>11</p>  <p>K2-71010</p>	<p>12</p>  <p>K2-71012</p>	<p>13</p>  <p>K1-71000</p>


<p>14</p>  <p>K3-07023 M20 x 1170mm [46 1/16"]</p>	<p>15</p>  <p>161mm [6 5/16"]</p> <p>K2-71210 RAL 9006 K2-71410 RAL 7016 K2-71610 RAL 9016</p>	<p>16</p>  <p>169mm [6 5/8"]</p> <p>K2-71211 RAL 9006 K2-71411 RAL 7016 K2-71611 RAL 9016</p>	<p>17</p>  <p>K2-71005</p>	<p>18</p>  <p>K1-71201 RAL 9006 K1-71401 RAL 7016 K1-71601 RAL 9016</p>	<p>19</p>  <p>K2-71215 RAL 9006 K2-71415 RAL 7016 K2-71615 RAL 9016</p>
	<p>20</p>  <p>K2-71200 RAL 9006 K2-71400 RAL 7016 K2-71600 RAL 9016</p>	<p>21</p>  <p>Ø42mm [1 5/8"]</p> <p>K1-71290 RAL 9006 K1-39010 RAL 7016 K1-29486 RAL 9016</p>	<p>22</p>  <p>Ø42mm [1 5/8"]</p> <p>K1-39000</p>	<p>23</p>  <p>13mm [1/2"]</p> <p>K1-01013 RAL 9006 K1-01023 RAL 7016 K1-01003 RAL 9016</p>	<p>24</p>  <p>K1-19310 RAL 9006 K1-71402 RAL 7016 K1-71602 RAL 9016</p>
	<p>25</p>  <p>Ø42mm [1 5/8"]</p> <p>K1-71295 5000mm - RAL 9006 [196 7/8"] K1-71297 7000mm - RAL 9006 [275 9/16"] K1-71495 5000mm - RAL 7016 [196 7/8"] K1-71497 7000mm - RAL 7016 [275 9/16"] K1-71695 5000mm - RAL 9016 [196 7/8"] K1-71697 7000mm - RAL 9016 [275 9/16"]</p>				
<p>26</p>  <p>Ø42mm [1 5/8"]</p>  <p>K1-71291 1000mm - RAL 9006 [39 3/8"] K1-71299 1150mm - RAL 9006 [45 1/4"] K1-39110 1000mm - RAL 7016 [39 3/8"] K1-71499 1150mm - RAL 7016 [45 1/4"] K1-29410 1000mm - RAL 9016 [39 3/8"] K1-71699 1150mm - RAL 9016 [45 1/4"]</p>					<p>27</p>  <p>K1-71205 RAL 9006 K1-71405 RAL 7016 K1-71605 RAL 9016</p>

<p>28</p>  <p>Ø 10 / 15mm</p> <p>K1-71095 Ø10 mm x 5 m          K1-71097 Ø10 mm x 7 m          K1-71685 Ø15 mm x 5 m          K1-71687 Ø15 mm x 7 m</p>	<p>30</p>  <p>K1-71219 RAL 9006          K1-71419 RAL 7016          K1-71619 RAL 9016</p>	<p>31</p>  <p>K1-71081 Ø10          K1-71681 Ø15</p>	<p>32</p>  <p>K1-71089 Ø10          K1-32470 Ø15</p>
--	--	---	---

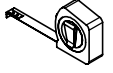
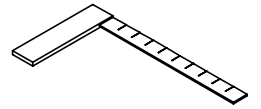
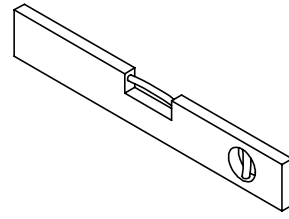
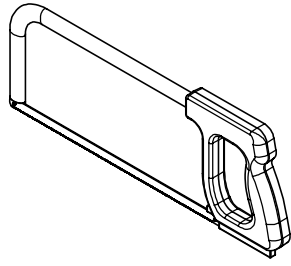
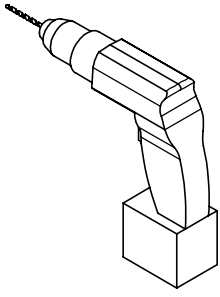
<p>29</p>  <p>Ø 10 / 15mm</p> <p>K1-71090 Ø10 mm x 1,00 m          K1-71099 Ø10 mm x 1,15 m          K1-71680 Ø15 mm x 1,00 m          K1-71682 Ø15 mm x 2,00 m          K1-71689 Ø15 mm x 1,15 m</p>
---

<p>50</p>  <p>K3-06022 RAL 9006          K3-10226 RAL 7016          K3-10126 RAL 9016          Ø5 x 35</p>	<p>51</p>  <p>K3-06199 RAL 9006          K3-10239 RAL 7016          K3-10139 RAL 9016          M5 x 20</p>	<p>52</p>  <p>K3-90001</p>	<p>53</p>  <p>K3-04028          Ø8,4</p>
<p>54</p>  <p>K3-08004          Ø10 x 60</p>	<p>55</p>  <p>K3-06015          M8 x 70</p>	<p>56</p>  <p>K3-03024          M20</p>	<p>57</p>  <p>K3-04020          Ø20</p>
<p>58</p>  <p>K3-08002          Ø8</p>	<p>59</p>  <p>K3-02131 RAL 9006          K3-10231 RAL 7016          K3-10131 RAL 9016          M4 x 10</p>	<p>60</p>  <p>K3-05013 RAL 9006          K3-10233 RAL 7016          K3-10133 RAL 9016          M6 x 6</p>	<p>61</p>  <p>K3-05011 RAL 9006          K3-10230 RAL 7016          K3-10130 RAL 9016          M5 x 20</p>
<p>62</p>  <p>K3-02081          M8 x 70</p>	<p>63</p>  <p>K3-03014          M20</p>	<p>69</p>  <p>R1-63272          Ø6 x 25</p>	
<p>71</p>  <p>K3-06016          Ø6 x 40</p>	<p>72</p>  <p>K3-05064          M4 x 4</p>		

40 **OPTION**



71091-AL



Torx 25



2,5mm

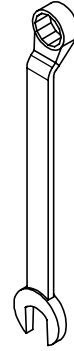


3mm

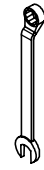


4mm

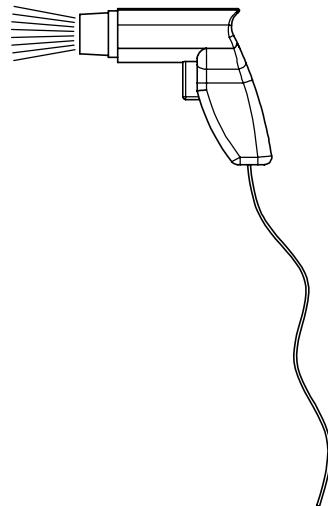
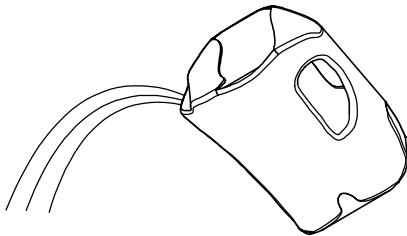
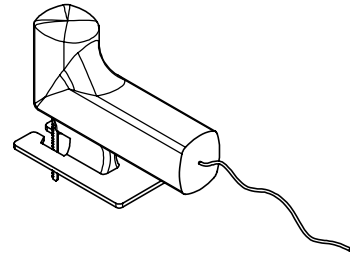
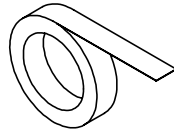
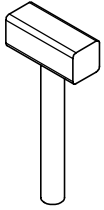
× 2

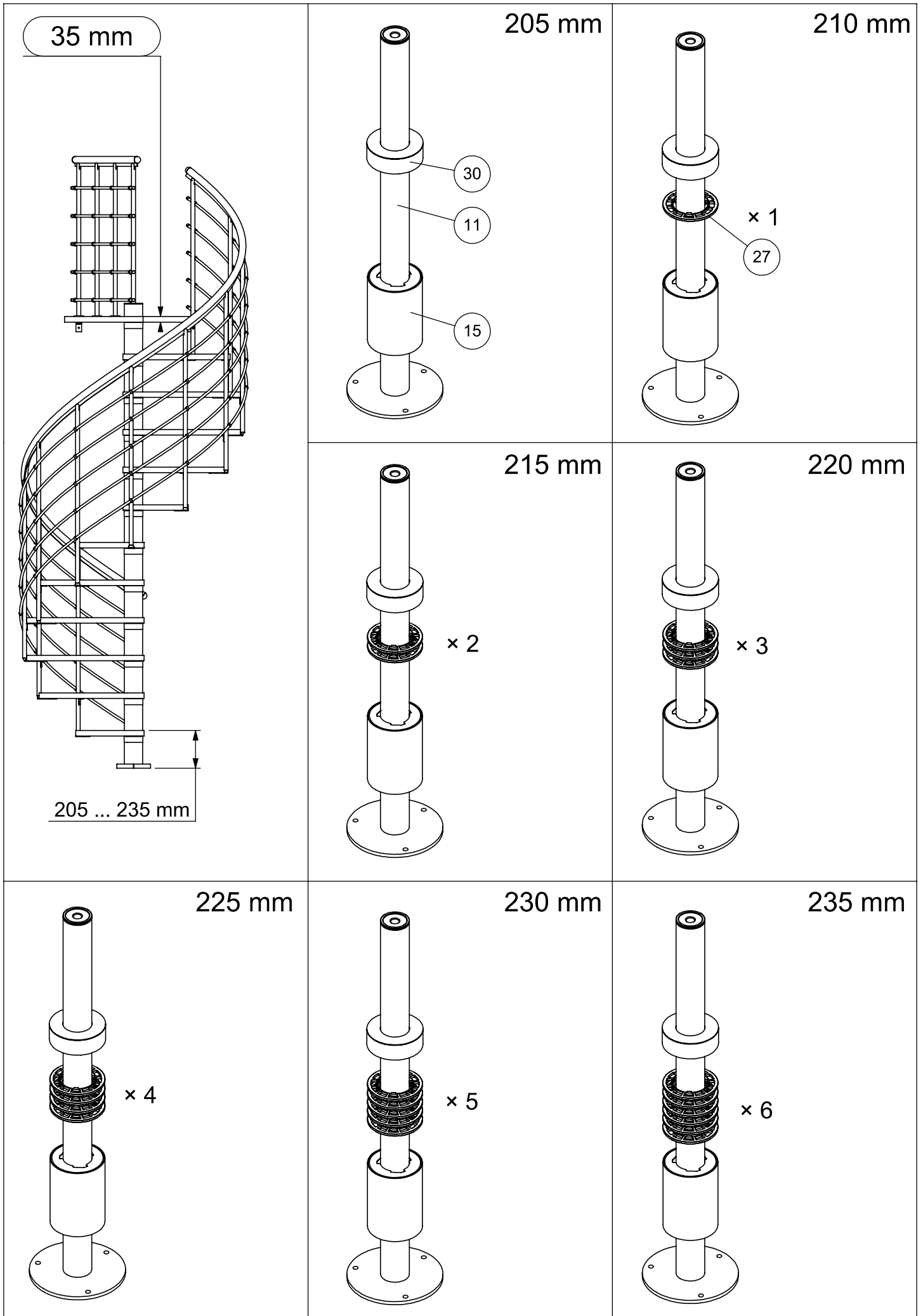


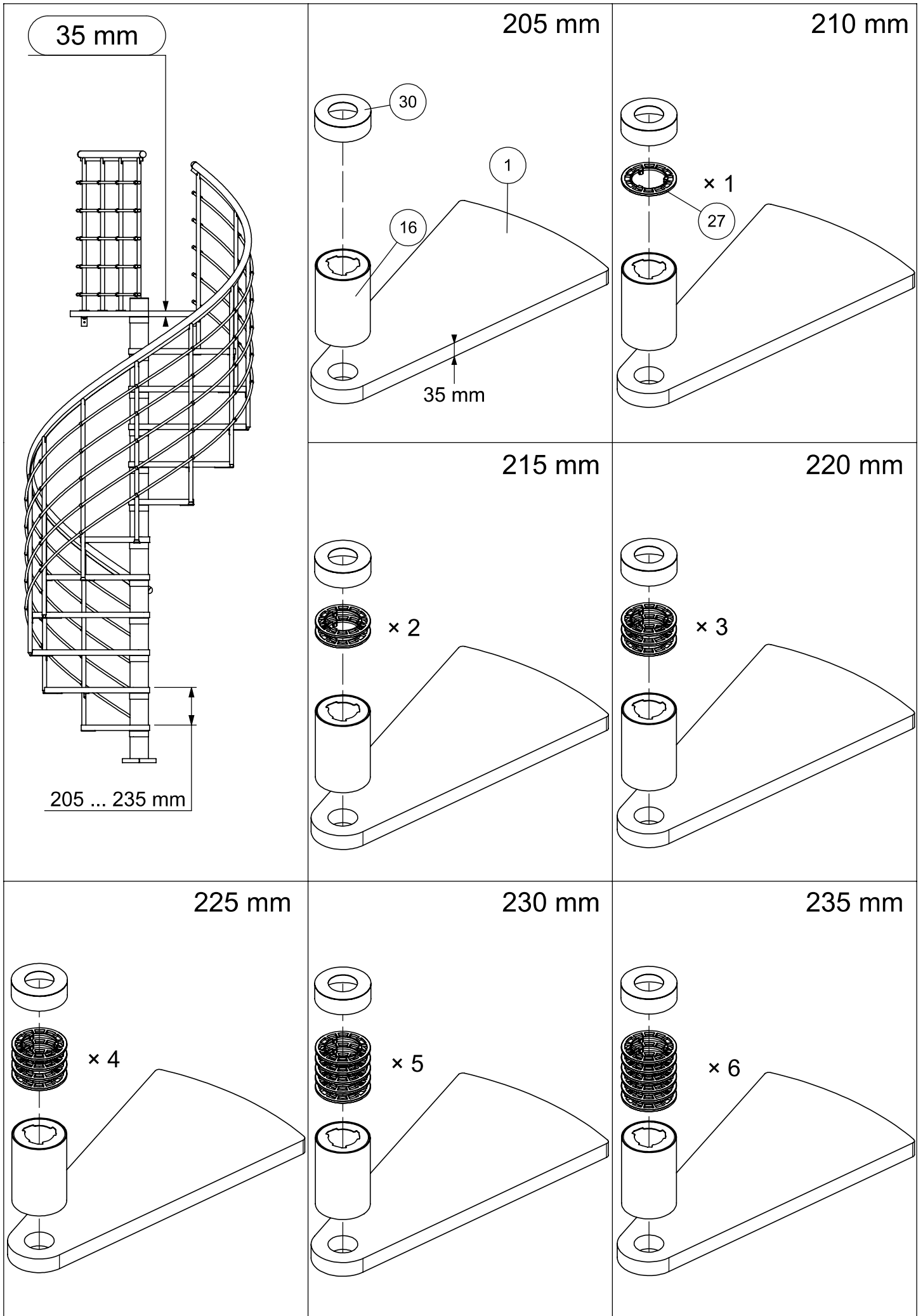
30mm



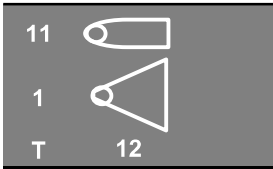
13mm



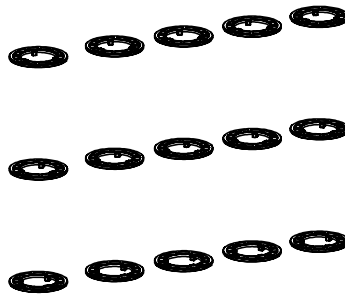




35 mm



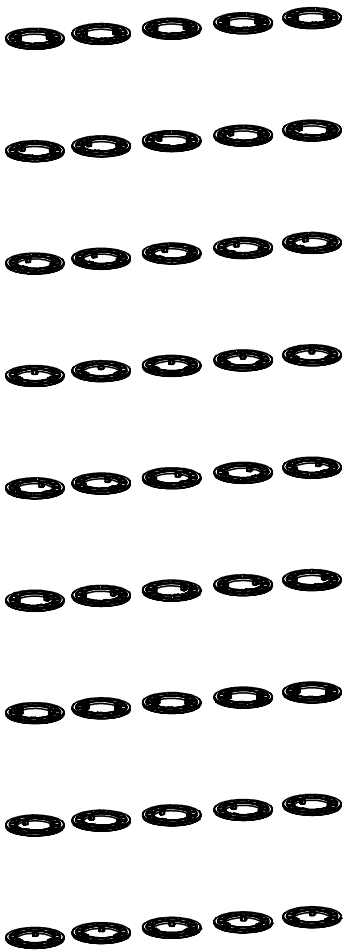
N  
0 ... 6 st (pcs)



12

T

N  
0 ... 6 st (pcs)



P  
+1  
st (pcs)



35 mm

2780	5	4
2785	5	5
2790	5	6
2795	5	7
2800	5	8
2805	5	9
2810	5	10
2815	5	11

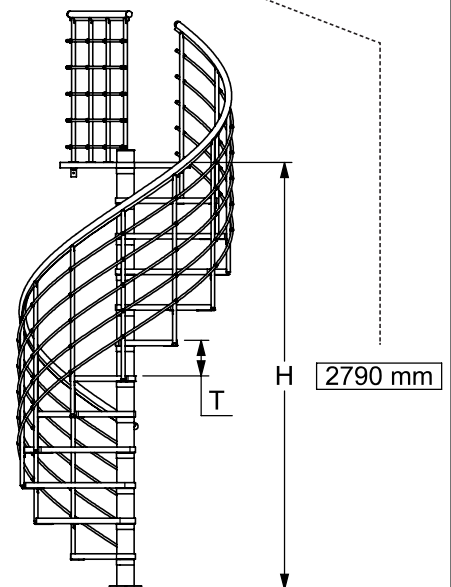
N x T

5 st (pcs) x 12  
= 60 st (pcs)

P

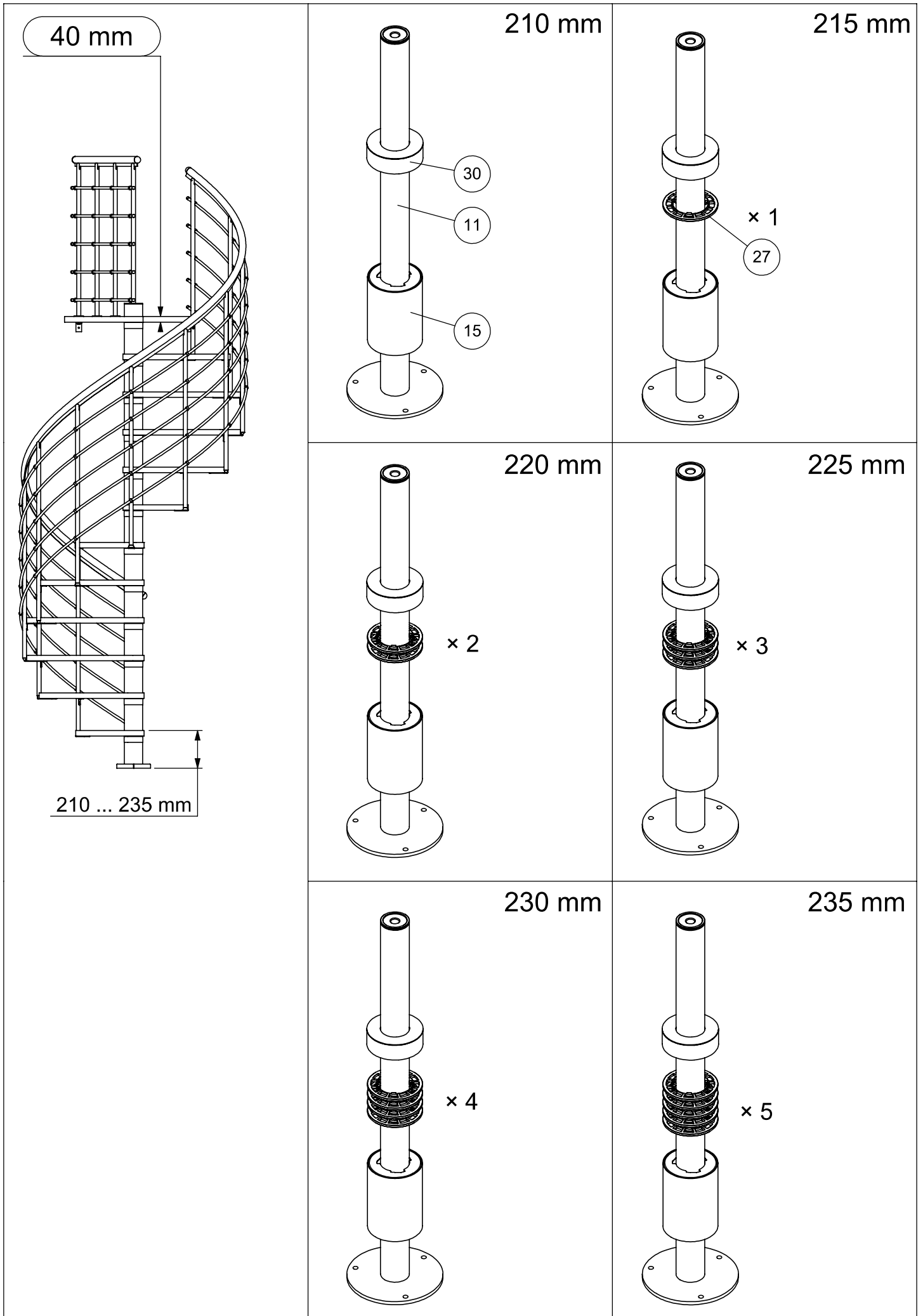
+6 st (pcs)

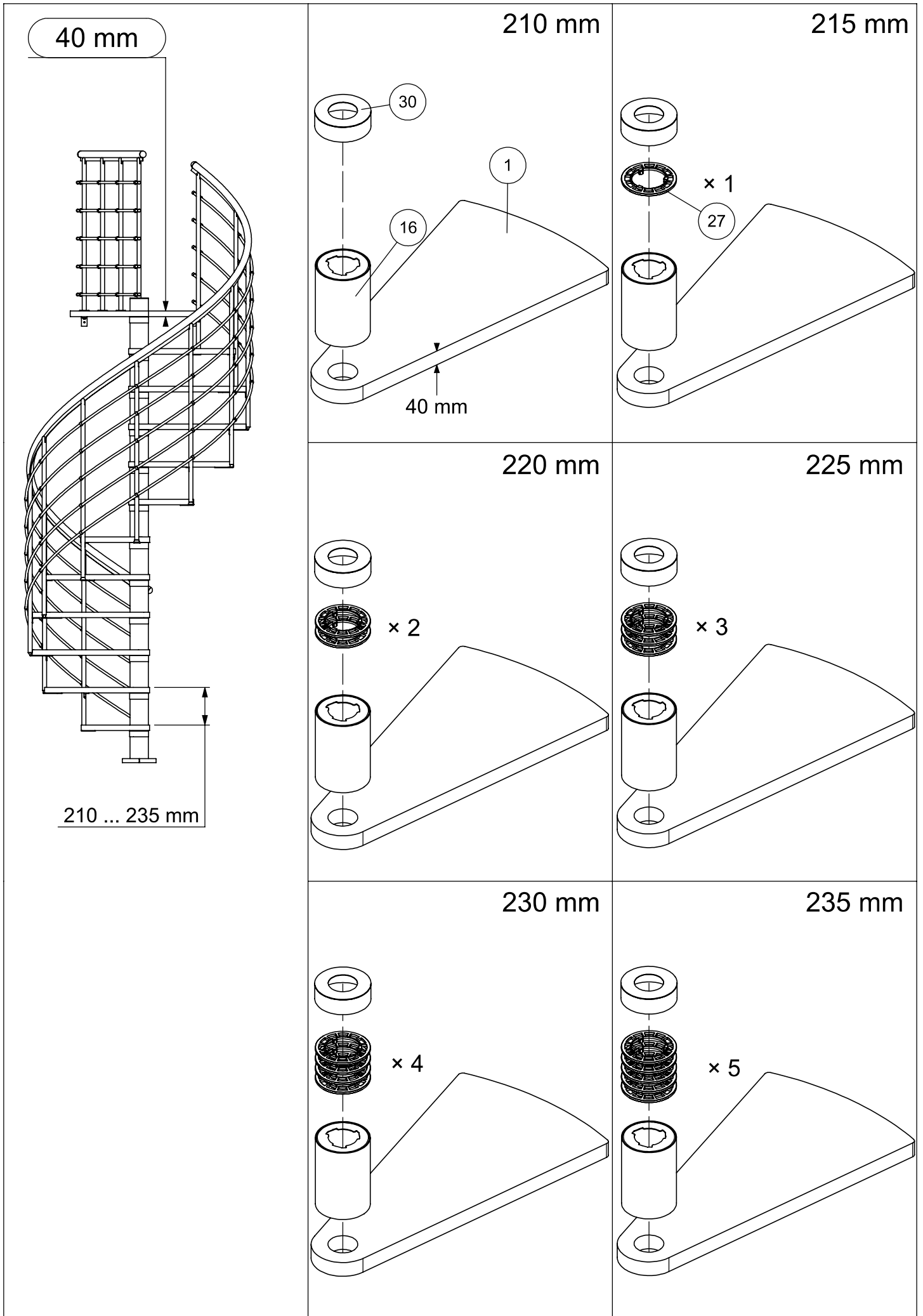
2780	5	4
2785	5	5
2790	5	6
2795	5	7
2800	5	8
2805	5	9
2810	5	10
2815	5	11



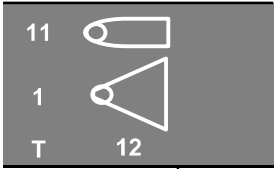
# 35 mm

9			10			11			12			13			14																				
1			1			1			1			1																							
H	N	P	H	N	P	H	N	P	H	N	P	H	N	P	H	N	P	H	N	P	H	N	P												
mm	st	pcs	mm	st	pcs	mm	st	pcs	mm	st	pcs	mm	st	pcs	mm	st	pcs	mm	st	pcs	mm	st	pcs	mm	st	pcs									
2050	0	0	2205	3	1	2255	0	0	2425	3	1	2460	0	0	2645	3	1	2665	0	0	2865	3	1	2870	0	0	3085	3	1	3075	0	0	3305	3	1
2055	0	1	2210	3	2	2260	0	1	2430	3	2	2465	0	1	2650	3	2	2670	0	1	2870	3	2	2875	0	1	3090	3	2	3080	0	1	3310	3	2
2060	0	2	2215	3	3	2265	0	2	2435	3	3	2470	0	2	2655	3	3	2675	0	2	2875	3	3	2880	0	2	3095	3	3	3085	0	2	3315	3	3
2065	0	3	2220	3	4	2270	0	3	2440	3	4	2475	0	3	2660	3	4	2680	0	3	2880	3	4	2885	0	3	3100	3	4	3090	0	3	3320	3	4
2070	0	4	2225	3	5	2275	0	4	2445	3	5	2480	0	4	2665	3	5	2685	0	4	2885	3	5	2890	0	4	3105	3	5	3095	0	4	3325	3	5
2075	0	5	2230	3	6	2280	0	5	2450	3	6	2485	0	5	2670	3	6	2690	0	5	2890	3	6	2895	0	5	3110	3	6	3100	0	5	3330	3	6
2080	0	6	2235	3	7	2285	0	6	2455	3	7	2490	0	6	2675	3	7	2695	0	6	2895	3	7	2900	0	6	3115	3	7	3105	0	6	3335	3	7
2085	0	7	2240	3	8	2290	0	7	2460	3	8	2495	0	7	2680	3	8	2700	0	7	2900	3	8	2905	0	7	3120	3	8	3110	0	7	3340	3	8
2090	0	8	2245	3	9	2295	0	8	2465	3	9	2500	0	8	2685	3	9	2705	0	8	2905	3	9	2910	0	8	3125	3	9	3115	0	8	3345	3	9
2095	0	9	2250	4	0	2300	0	9	2470	3	10	2505	0	9	2690	3	10	2710	0	9	2910	3	10	2915	0	9	3130	3	10	3120	0	9	3350	3	10
2100	1	0	2255	4	1	2305	0	10	2475	4	0	2510	0	10	2695	3	11	2715	0	10	2915	3	11	2920	0	10	3135	3	11	3125	0	10	3355	3	11
2105	1	1	2260	4	2	2310	1	0	2480	4	1	2515	0	11	2700	4	0	2720	0	11	2920	3	12	2925	0	11	3140	3	12	3130	0	11	3360	3	12
2110	1	2	2265	4	3	2315	1	1	2485	4	2	2520	1	0	2705	4	1	2725	0	12	2925	4	0	2930	0	12	3145	3	13	3135	0	12	3365	3	13
2115	1	3	2270	4	4	2320	1	2	2490	4	3	2525	1	1	2710	4	2	2730	1	0	2930	4	1	2935	0	13	3150	4	0	3140	0	13	3370	3	14
2120	1	4	2275	4	5	2325	1	3	2495	4	4	2530	1	2	2715	4	3	2735	1	1	2935	4	2	2940	1	0	3155	4	1	3145	0	14	3375	4	0
2125	1	5	2280	4	6	2330	1	4	2500	4	5	2535	1	3	2720	4	4	2740	1	2	2940	4	3	2945	1	1	3160	4	2	3150	1	0	3380	4	1
2130	1	6	2285	4	7	2335	1	5	2505	4	6	2540	1	4	2725	4	5	2745	1	3	2945	4	4	2950	1	2	3165	4	3	3155	1	1	3385	4	2
2135	1	7	2290	4	8	2340	1	6	2510	4	7	2545	1	5	2730	4	6	2750	1	4	2950	4	5	2955	1	3	3170	4	4	3160	1	2	3390	4	3
2140	1	8	2295	4	9	2345	1	7	2515	4	8	2550	1	6	2735	4	7	2755	1	5	2955	4	6	2960	1	4	3175	4	5	3165	1	3	3395	4	4
2145	1	9	2300	5	0	2350	1	8	2520	4	9	2555	1	7	2740	4	8	2760	1	6	2960	4	7	2965	1	5	3180	4	6	3170	1	4	3400	4	5
2150	2	0	2305	5	1	2355	1	9	2525	4	10	2560	1	8	2745	4	9	2765	1	7	2965	4	8	2970	1	6	3185	4	7	3175	1	5	3405	4	6
2155	2	1	2310	5	2	2360	1	10	2530	5	0	2565	1	9	2750	4	10	2770	1	8	2970	4	9	2975	1	7	3190	4	8	3180	1	6	3410	4	7
2160	2	2	2315	5	3	2365	2	0	2535	5	1	2570	1	10	2755	4	11	2775	1	9	2975	4	10	2980	1	8	3195	4	9	3185	1	7	3415	4	8
2165	2	3	2320	5	4	2370	2	1	2540	5	2	2575	1	11	2760	5	0	2780	1	10	2980	4	11	2985	1	9	3200	4	10	3190	1	8	3420	4	9
2170	2	4	2325	5	5	2375	2	2	2545	5	3	2580	2	0	2765	5	1	2785	1	11	2985	4	12	2990	1	10	3205	4	11	3195	1	9	3425	4	10
2175	2	5	2330	5	6	2380	2	3	2550	5	4	2585	2	1	2770	5	2	2790	1	12	2990	5	0	2995	1	11	3210	4	12	3200	1	10	3430	4	11
2180	2	6	2335	5	7	2385	2	4	2555	5	5	2590	2	2	2775	5	3	2795	2	0	2995	5	1	3000	1	12	3215	4	13	3205	1	11	3435	4	12
2185	2	7	2340	5	8	2390	2	5	2560	5	6	2595	2	3	2780	5	4	2800	2	1	3000	5	2	3005	1	13	3220	5	0	3210	1	12	3440	4	13
2190	2	8	2345	5	9	2395	2	6	2565	5	7	2600	2	4	2785	5	5	2805	2	2	3005	5	3	3010	2	0	3225	5	1	3215	1	13	3445	4	14
2195	2	9	2350	6	0	2400	2	7	2570	5	8	2605	2	5	2790	5	6	2810	2	3	3010	5	4	3015	2	1	3230	5	2	3220	1	14	3450	5	0
2200	3	0				2405	2	8	2575	5	9	2610	2	6	2795	5	7	2815	2	4	3015	5	5	3020	2	2	3235	5	3	3225	2	0	3455	5	1
						2410	2	9	2580	5	10	2615	2	7	2800	5	8	2820	2	5	3020	5	6	3025	2	3	3240	5	4	3230	2	1	3460	5	2
						2415	2	10	2585	6	0	2620	2	8	2805	5	9	2825	2	6	3025	5	7	3030	2	4	3245	5	5	3235	2	2	3465	5	3
						2420	3	0				2625	2	9	2810	5	10	2830	2	7	3030	5	8	3035	2	5	3250	5	6	3240	2	3	3470	5	4
												2630	2	10	2815	5	11	2835	2	8	3035	5	9	3040	2	6	3255	5	7	3245	2	4	3475	5	5
												2635	2	11	2820	6	0	2840	2	9	3040	5	10	3045	2	7	3260	5	8	3250	2	5	3480	5	6
												2640	3	0				2845	2	10	3045	5	11	3050	2	8	3265	5	9	3255	2	6	3485	5	7
																	2850	2	11	3050	5	12	3055	2	9	3270	5	10	3260	2	7	3490	5	8	
																	2855	2	12	3055	6	0	3060	2	10	3275	5	11	3265	2	8	3495	5	9	
																	2860	3	0				3065	2	11	3280	5	12	3270	2	9	3500	5	10	
																				3070	2	12	3070	2	12	3285	5	13	3275	2	10	3505	5	11	
																				3075	2	13	3080	3	0	3290	6	0	3280	2	11	3510	5	12	
																														3285	2	12	3515	5	13
																														3290	2	13	3520	5	14
																														3295	2	14	3525	6	0
																														3300	3	0			

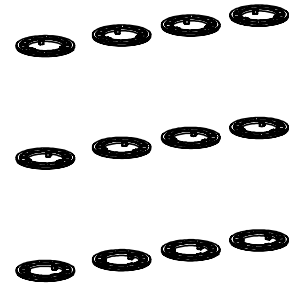




40 mm



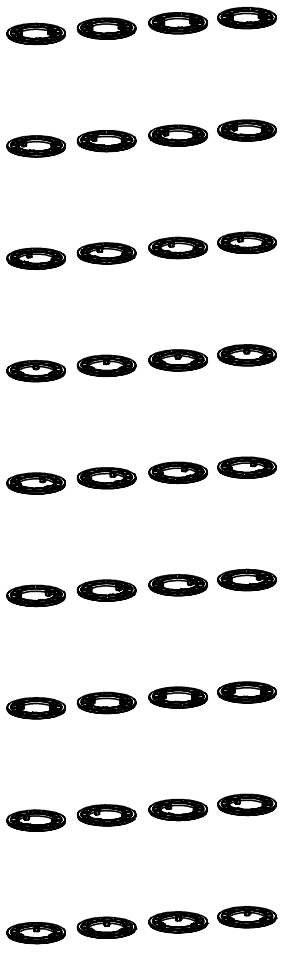
N  
0 ... 5 st (pcs)



12

T

N  
0 ... 5 st (pcs)



P  
+1  
st (pcs)



40 mm

2780	4	4
2785	4	5
2790	4	6
2795	4	7
2800	4	8
2805	4	9
2810	4	10
2815	4	11

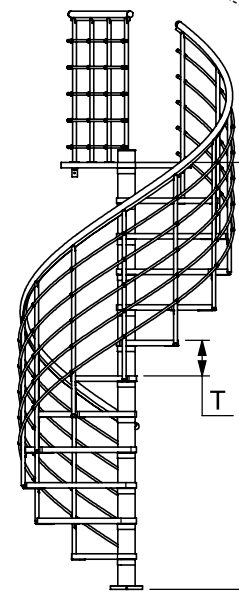
N × T

4 st (pcs) × 12  
= 48 st (pcs)

P

+ 6 st (pcs)

2780	4	4
2785	4	5
2790	4	6
2795	4	7
2800	4	8
2805	4	9
2810	4	10
2815	4	11



H

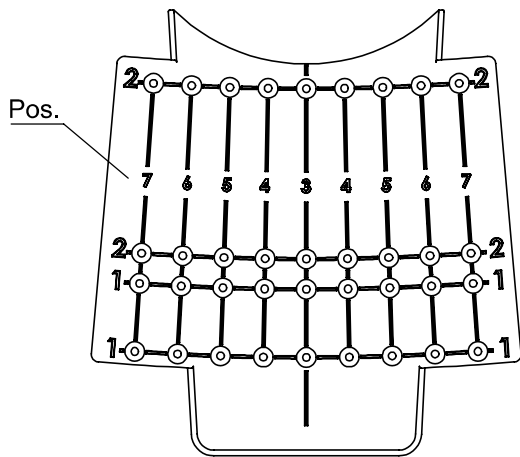
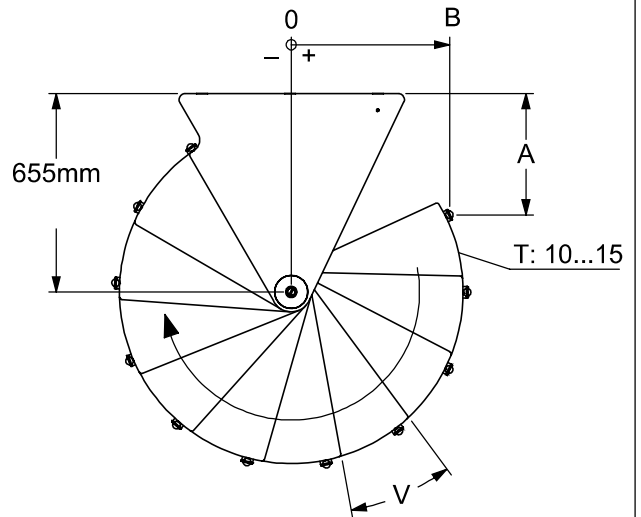
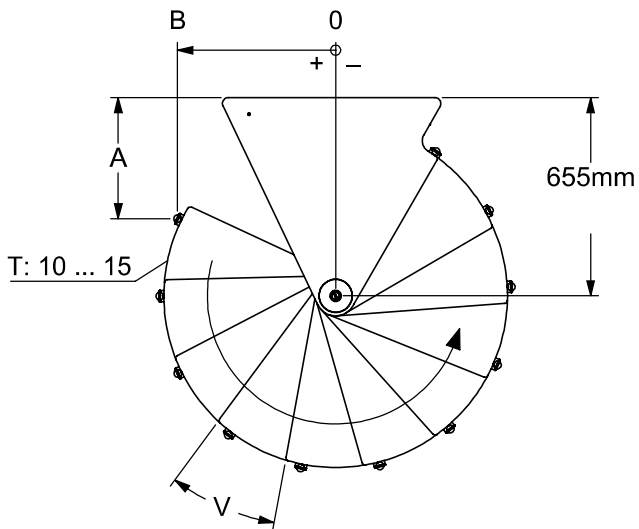
2790 mm

T

# 40 mm

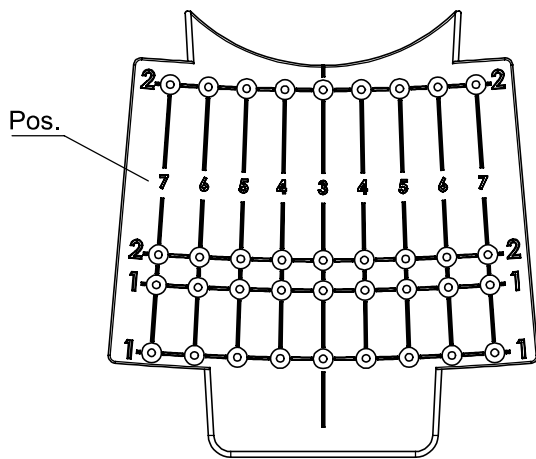
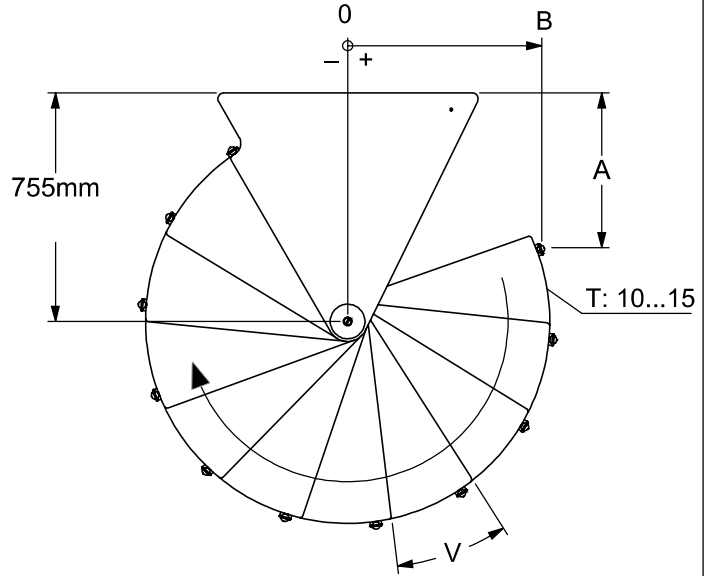
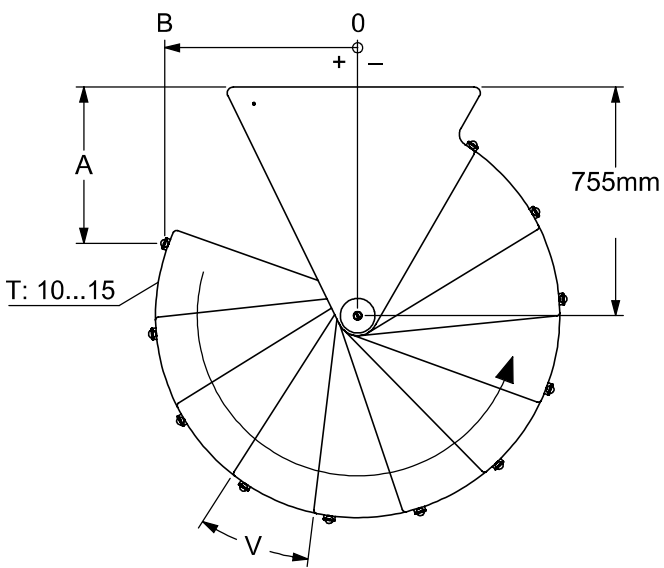
9			10			11			12			13			14			15																	
1			1			1			1			1			1			1																	
H	N	P	H	N	P	H	N	P	H	N	P	H	N	P	H	N	P	H	N	P	H	N	P	H	N	P	H	N	P						
mm	st	pcs	mm	st	pcs	mm	st	pcs	mm	st	pcs	mm	st	pcs	mm	st	pcs	mm	st	pcs	mm	st	pcs	mm	st	pcs	mm	st	pcs	mm	st	pcs			
2100	0	0	2255	3	1	2310	0	0	2480	3	1	2520	0	0	2705	3	1	2730	0	0	2930	3	1	2940	0	0	3155	3	1	3150	0	0	3380	3	1
2105	0	1	2260	3	2	2315	0	1	2485	3	2	2525	0	1	2710	3	2	2735	0	1	2935	3	2	2945	0	1	3160	3	2	3155	0	1	3385	3	2
2110	0	2	2265	3	3	2320	0	2	2490	3	3	2530	0	2	2715	3	3	2740	0	2	2940	3	3	2950	0	2	3165	3	3	3160	0	2	3390	3	3
2115	0	3	2270	3	4	2325	0	3	2495	3	4	2535	0	3	2720	3	4	2745	0	3	2945	3	4	2955	0	3	3170	3	4	3165	0	3	3395	3	4
2120	0	4	2275	3	5	2330	0	4	2500	3	5	2540	0	4	2725	3	5	2750	0	4	2950	3	5	2960	0	4	3175	3	5	3170	0	4	3400	3	5
2125	0	5	2280	3	6	2335	0	5	2505	3	6	2545	0	5	2730	3	6	2755	0	5	2955	3	6	2965	0	5	3180	3	6	3175	0	5	3405	3	6
2130	0	6	2285	3	7	2340	0	6	2510	3	7	2550	0	6	2735	3	7	2760	0	6	2960	3	7	2970	0	6	3185	3	7	3180	0	6	3410	3	7
2135	0	7	2290	3	8	2345	0	7	2515	3	8	2555	0	7	2740	3	8	2765	0	7	2965	3	8	2975	0	7	3190	3	8	3185	0	7	3415	3	8
2140	0	8	2295	3	9	2350	0	8	2520	3	9	2560	0	8	2745	3	9	2770	0	8	2970	3	9	2980	0	8	3195	3	9	3190	0	8	3420	3	9
2145	0	9	2300	4	0	2355	0	9	2525	3	10	2565	0	9	2750	3	10	2775	0	9	2975	3	10	2985	0	9	3200	3	10	3195	0	9	3425	3	10
2150	1	0	2305	4	1	2360	0	10	2530	4	0	2570	0	10	2755	3	11	2780	0	10	2980	3	11	2990	0	10	3205	3	11	3200	0	10	3430	3	11
2155	1	1	2310	4	2	2365	1	0	2535	4	1	2575	0	11	2760	4	0	2785	0	11	2985	3	12	2995	0	11	3210	3	12	3205	0	11	3435	3	12
2160	1	2	2315	4	3	2370	1	1	2540	4	2	2580	1	0	2765	4	1	2790	0	12	2990	4	0	3000	0	12	3215	3	13	3210	0	12	3440	3	13
2165	1	3	2320	4	4	2375	1	2	2545	4	3	2585	1	1	2770	4	2	2795	1	0	2995	4	1	3005	0	13	3220	4	0	3215	0	13	3445	3	14
2170	1	4	2325	4	5	2380	1	3	2550	4	4	2590	1	2	2775	4	3	2800	1	1	3000	4	2	3010	1	0	3225	4	1	3220	0	14	3450	4	0
2175	1	5	2330	4	6	2385	1	4	2555	4	5	2595	1	3	2780	4	4	2805	1	2	3005	4	3	3015	1	1	3230	4	2	3225	1	0	3455	4	1
2180	1	6	2335	4	7	2390	1	5	2560	4	6	2600	1	4	2785	4	5	2810	1	3	3010	4	4	3020	1	2	3235	4	3	3230	1	1	3460	4	2
2185	1	7	2340	4	8	2395	1	6	2565	4	7	2605	1	5	2790	4	6	2815	1	4	3015	4	5	3025	1	3	3240	4	4	3235	1	2	3465	4	3
2190	1	8	2345	4	9	2400	1	7	2570	4	8	2610	1	6	2795	4	7	2820	1	5	3020	4	6	3030	1	4	3245	4	5	3240	1	3	3470	4	4
2195	1	9	2350	5	0	2405	1	8	2575	4	9	2615	1	7	2800	4	8	2825	1	6	3025	4	7	3035	1	5	3250	4	6	3245	1	4	3475	4	5
2200	2	0				2410	1	9	2580	4	10	2620	1	8	2805	4	9	2830	1	7	3030	4	8	3040	1	6	3255	4	7	3250	1	5	3480	4	6
2205	2	1				2415	1	10	2585	5	0	2625	1	9	2810	4	10	2835	1	8	3035	4	9	3045	1	7	3260	4	8	3255	1	6	3485	4	7
2210	2	2				2420	2	0				2630	1	10	2815	4	11	2840	1	9	3040	4	10	3050	1	8	3265	4	9	3260	1	7	3490	4	8
2215	2	3				2425	2	1				2635	1	11	2820	5	0	2845	1	10	3045	4	11	3055	1	9	3270	4	10	3265	1	8	3495	4	9
2220	2	4				2430	2	2				2640	2	0				2850	1	11	3050	4	12	3060	1	10	3275	4	11	3270	1	9	3500	4	10
2225	2	5				2435	2	3				2645	2	1				2855	1	12	3055	5	0	3065	1	11	3280	4	12	3275	1	10	3505	4	11
2230	2	6				2440	2	4				2650	2	2				2860	2	0				3070	1	12	3285	4	13	3280	1	11	3510	4	12
2235	2	7				2445	2	5				2655	2	3				2865	2	1				3075	1	13	3290	5	0	3285	1	12	3515	4	13
2240	2	8				2450	2	6				2660	2	4				2870	2	2				3080	2	0				3290	1	13	3520	4	14
2245	2	9				2455	2	7				2665	2	5				2875	2	3				3085	2	1				3295	1	14	3525	5	0
2250	3	0				2460	2	8				2670	2	6				2880	2	4				3090	2	2				3300	2	0			
						2465	2	9				2675	2	7				2885	2	5				3095	2	3				3305	2	1			
						2470	2	10				2680	2	8				2890	2	6				3100	2	4				3310	2	2			
						2475	3	0				2685	2	9				2895	2	7				3105	2	5				3315	2	3			
												2690	2	10				2900	2	8				3110	2	6				3320	2	4			
												2695	2	11				2905	2	9				3115	2	7				3325	2	5			
												2700	3	0				2910	2	10				3120	2	8				3330	2	6			
																		2915	2	11				3125	2	9				3335	2	7			
																		2920	2	12				3130	2	10				3340	2	8			
																		2925	3	0				3135	2	11				3345	2	9			
																								3140	2	12				3350	2	10			
																								3145	2	13				3355	2	11			
																								3150	3	0				3360	2	12			
																													3365	2	13				
																													3370	2	14				
																													3375	3	0				

∅ 120 cm



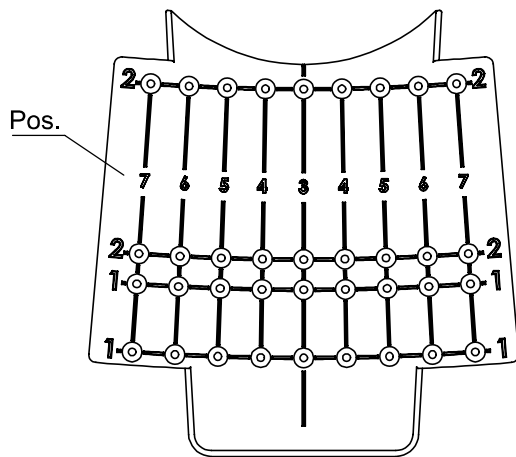
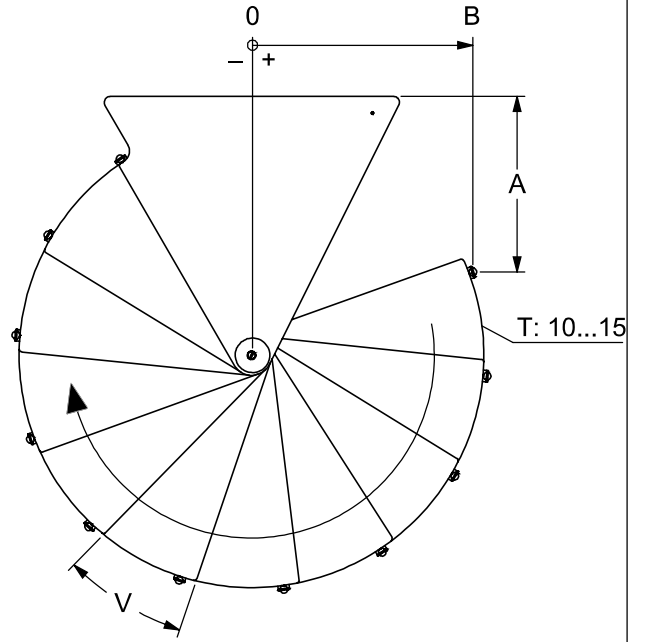
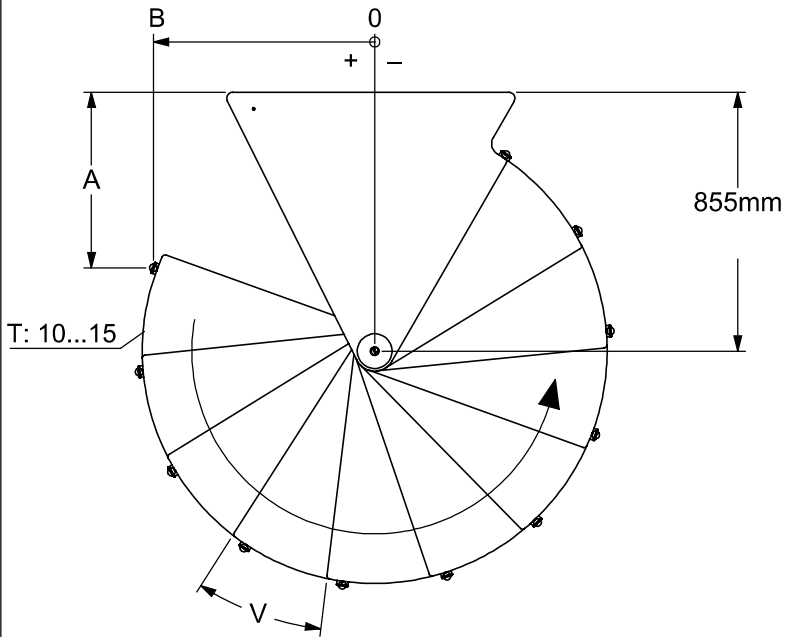
∅ 120 cm				
T	Pos.	V	A	B
		°	mm	mm
10	7	21	1046	429
	6	24	865	541
	5	26	656	580
	4	28	447	542
	3	31	265	431
11	7	21	862	542
	6	24	629	580
	5	26	400	522
	4	28	214	377
	3	31	100	170
12	7	21	650	580
	6	24	398	520
	5	26	197	356
	4	28	87	121
	3	31	91	-138
13	7	21	438	539
	6	24	209	373
	5	26	86	118
	4	28	98	-164
	3	31	241	-408
14	7	21	256	422
	6	24	97	161
	5	26	93	-144
	4	28	244	-410
	3	31	509	-562
15	7	21	130	247
	6	24	80	-77
	5	26	214	-377
	4	28	489	-556
	3	31	817	-558

∅ 140 cm

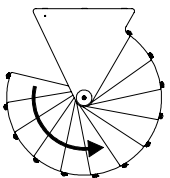
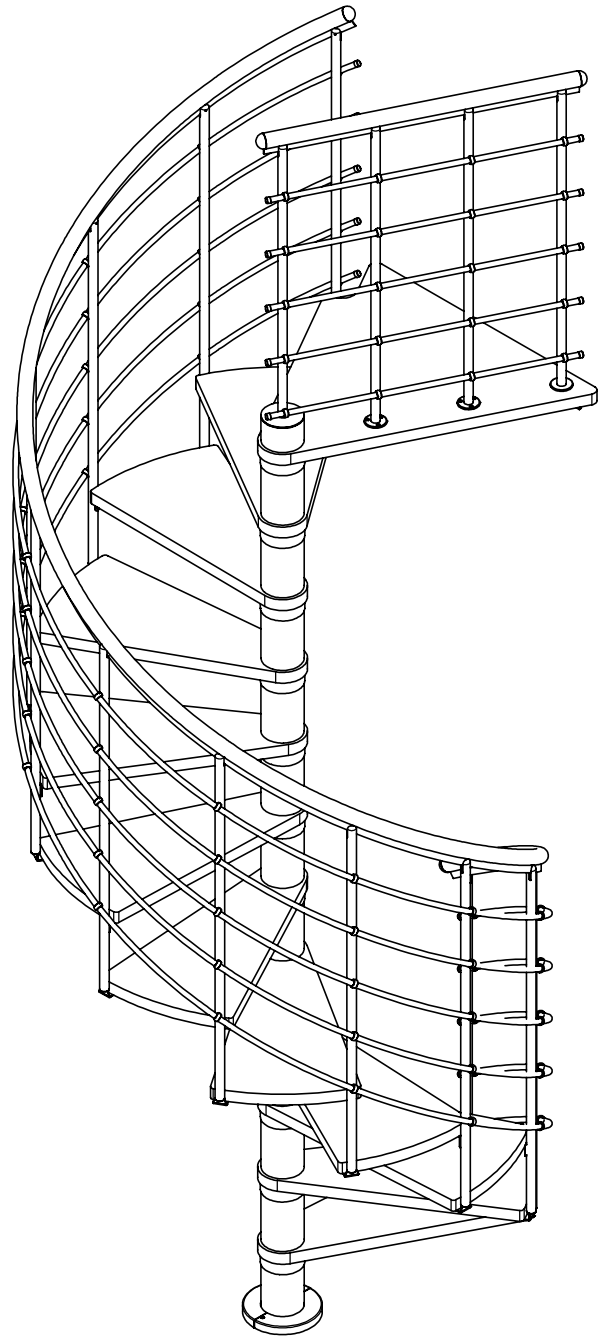
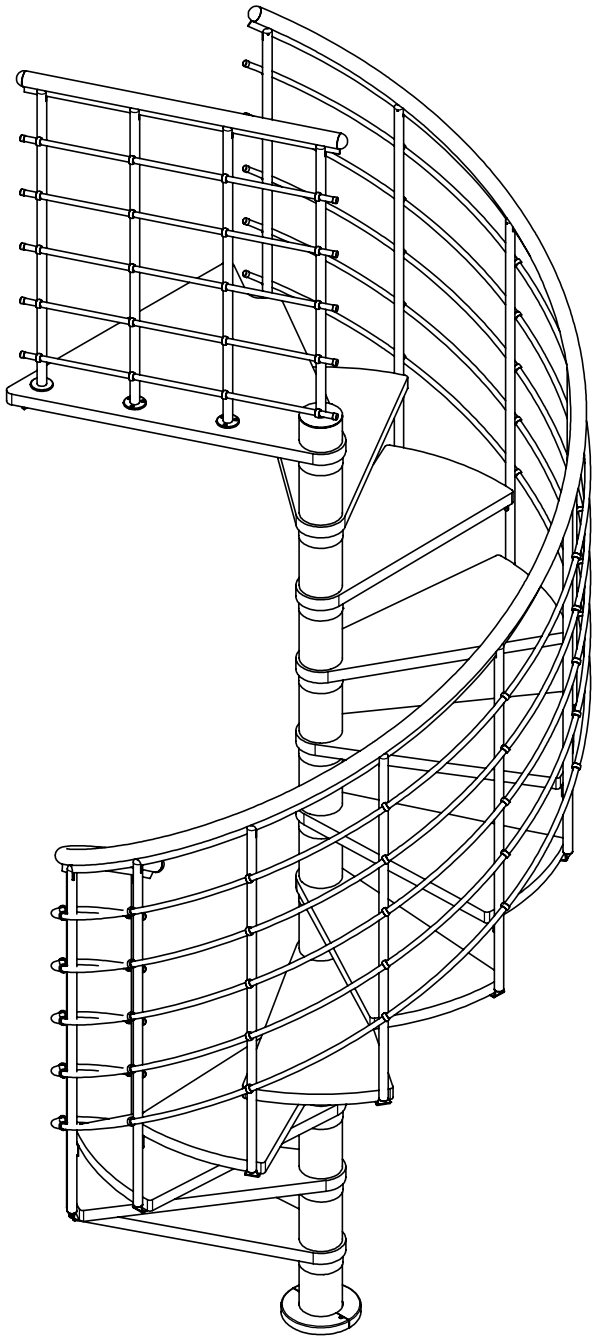


∅ 140 cm				
T	Pos.	V	A	B
		°	mm	mm
10	7	22	1203	513
	6	24	1022	626
	5	26	816	678
	4	28	603	663
	3	30	405	584
11	7	22	982	642
	6	24	749	680
	5	26	516	637
	4	28	313	517
	3	30	162	334
12	7	22	729	680
	6	24	476	621
	5	26	264	471
	4	28	123	253
	3	30	75	-3
13	7	22	480	623
	6	24	250	457
	5	26	108	212
	4	28	78	-69
	3	30	165	-339
14	7	22	270	477
	6	24	110	216
	5	26	80	-89
	4	28	188	-376
	3	30	410	-586
15	7	22	128	265
	6	24	77	-61
	5	26	185	-372
	4	28	427	-596
	3	30	745	-680

∅ 160 cm



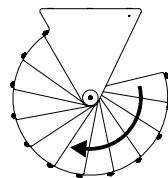
∅ 160 cm				
T	Pos.	V	A	B
		°	mm	mm
10	7	22	1319	628
	6	24	1132	730
	5	26	924	777
	4	27	711	767
	3	29	509	699
11	7	22	1047	757
	6	24	812	779
	5	26	580	730
	4	27	374	614
	3	29	212	442
12	7	22	747	773
	6	24	499	694
	5	26	290	539
	4	27	145	323
	3	29	78	72
13	7	22	463	675
	6	24	205	433
	5	26	112	241
	4	27	75	-40
	3	29	141	-316
14	7	22	237	477
	6	24	77	61
	5	26	82	-105
	4	27	182	-395
	3	29	386	-624
15	7	22	103	208
	6	24	146	-326
	5	26	203	-430
	4	27	439	-661
	3	29	750	-773



Left  
Links  
Gauche



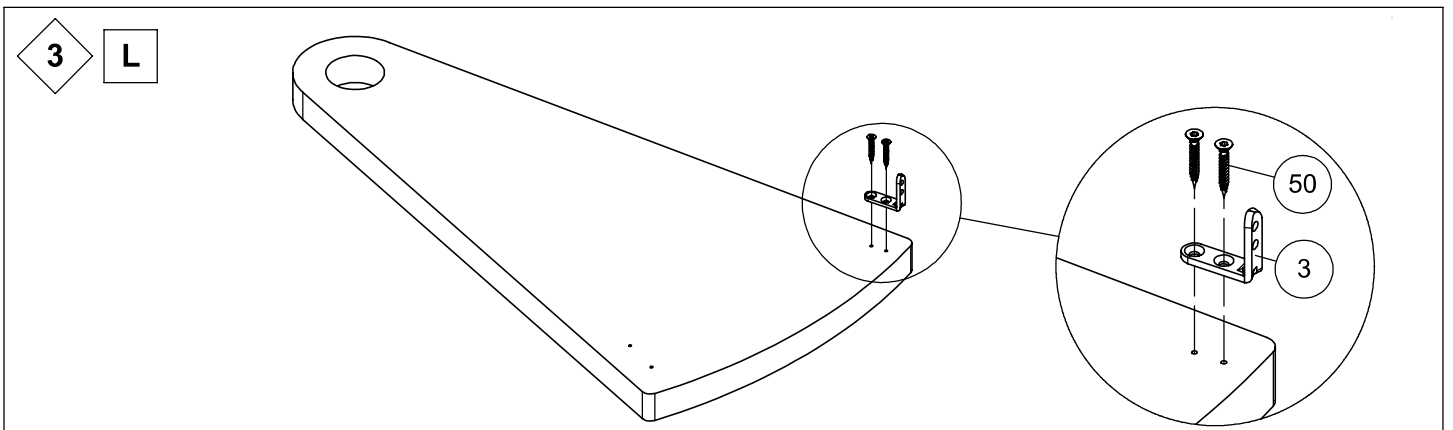
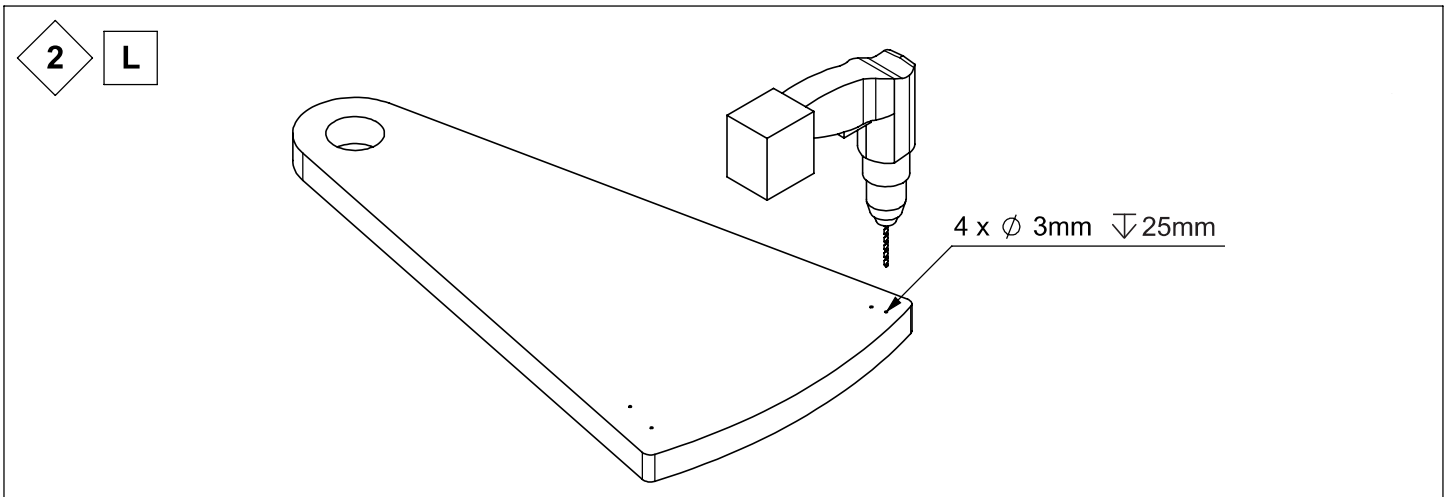
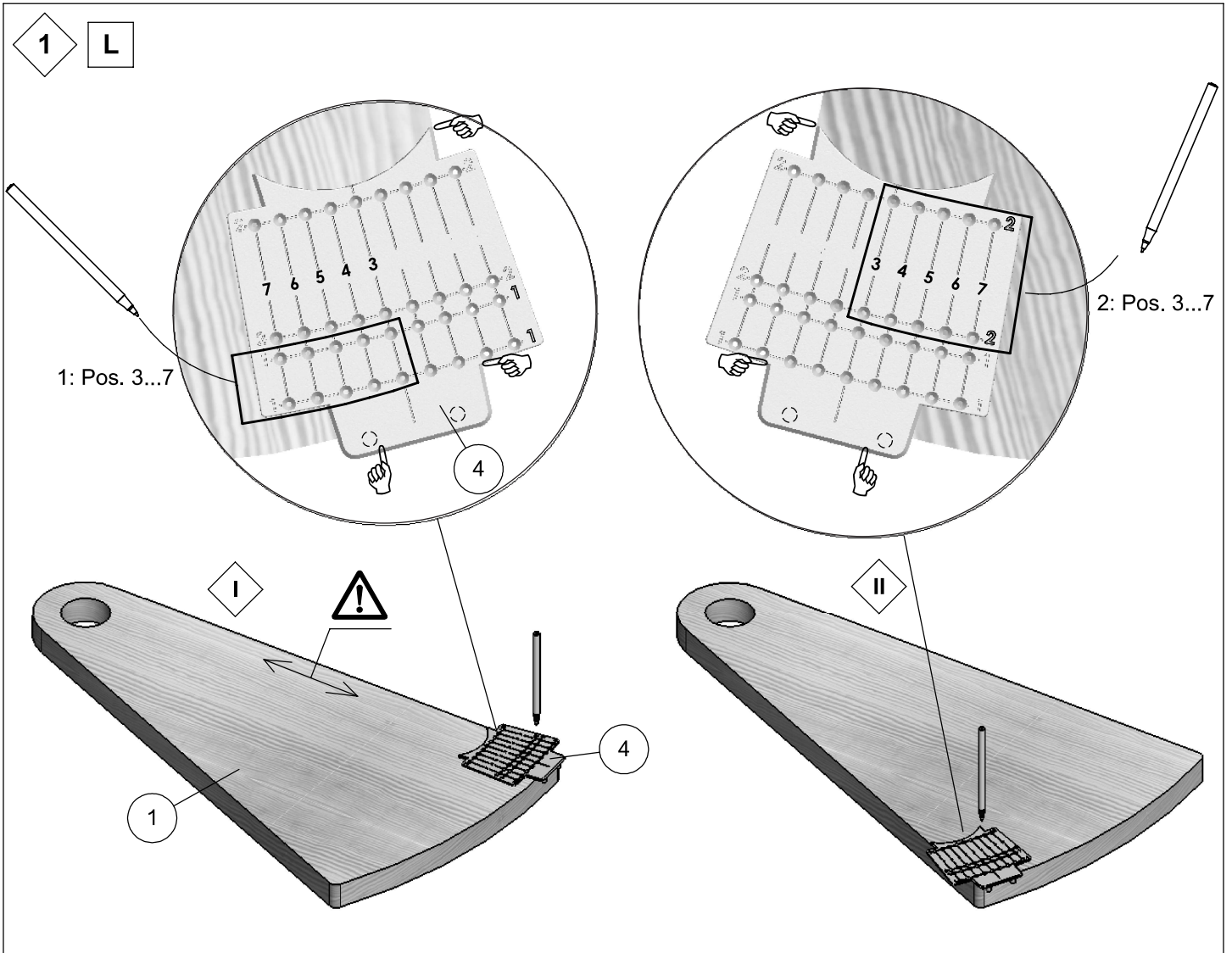
1 L

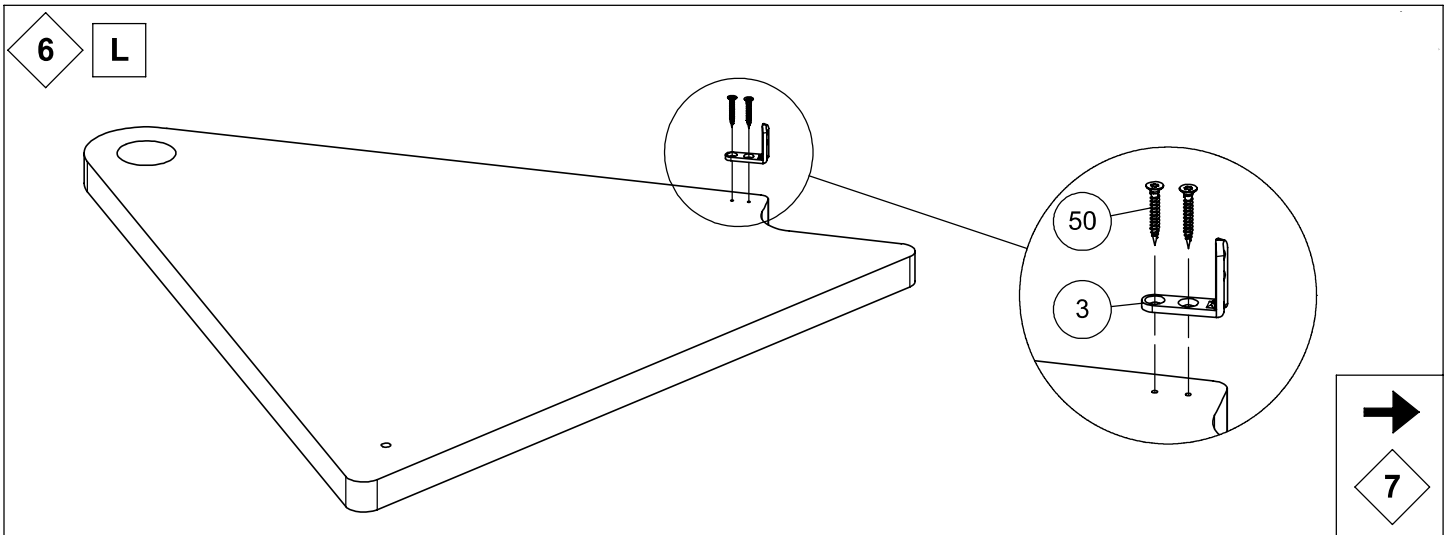
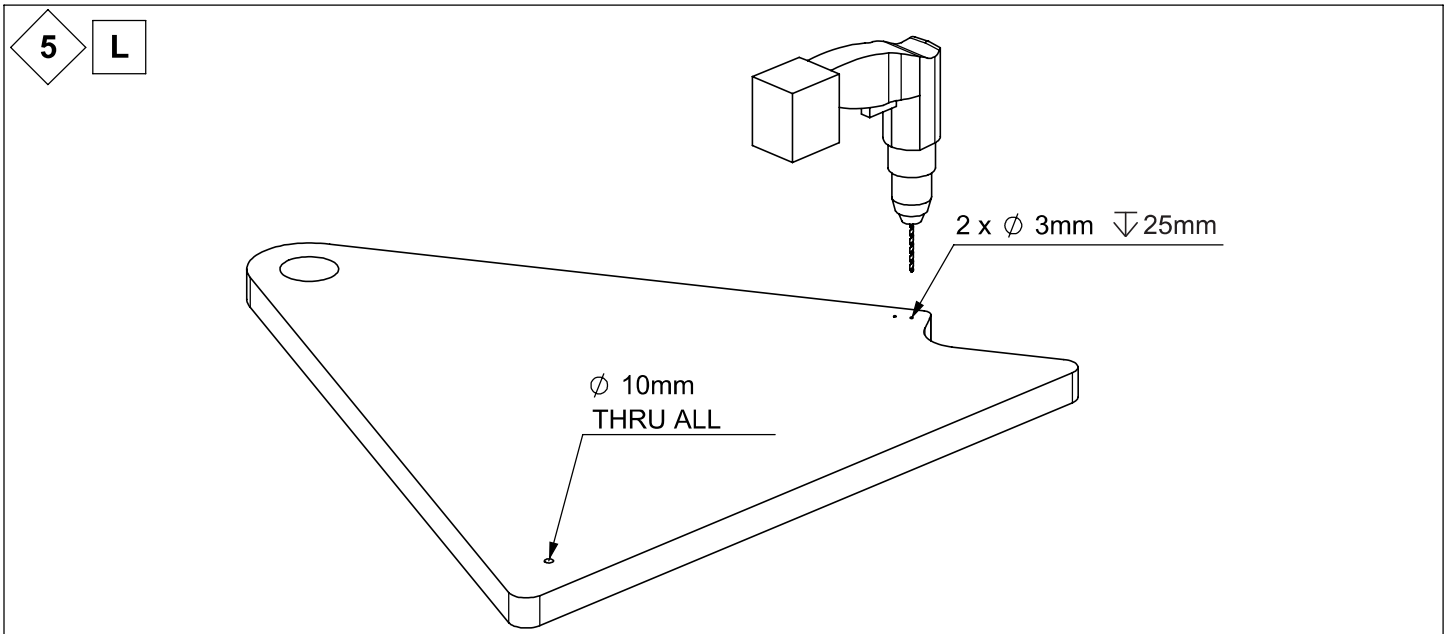
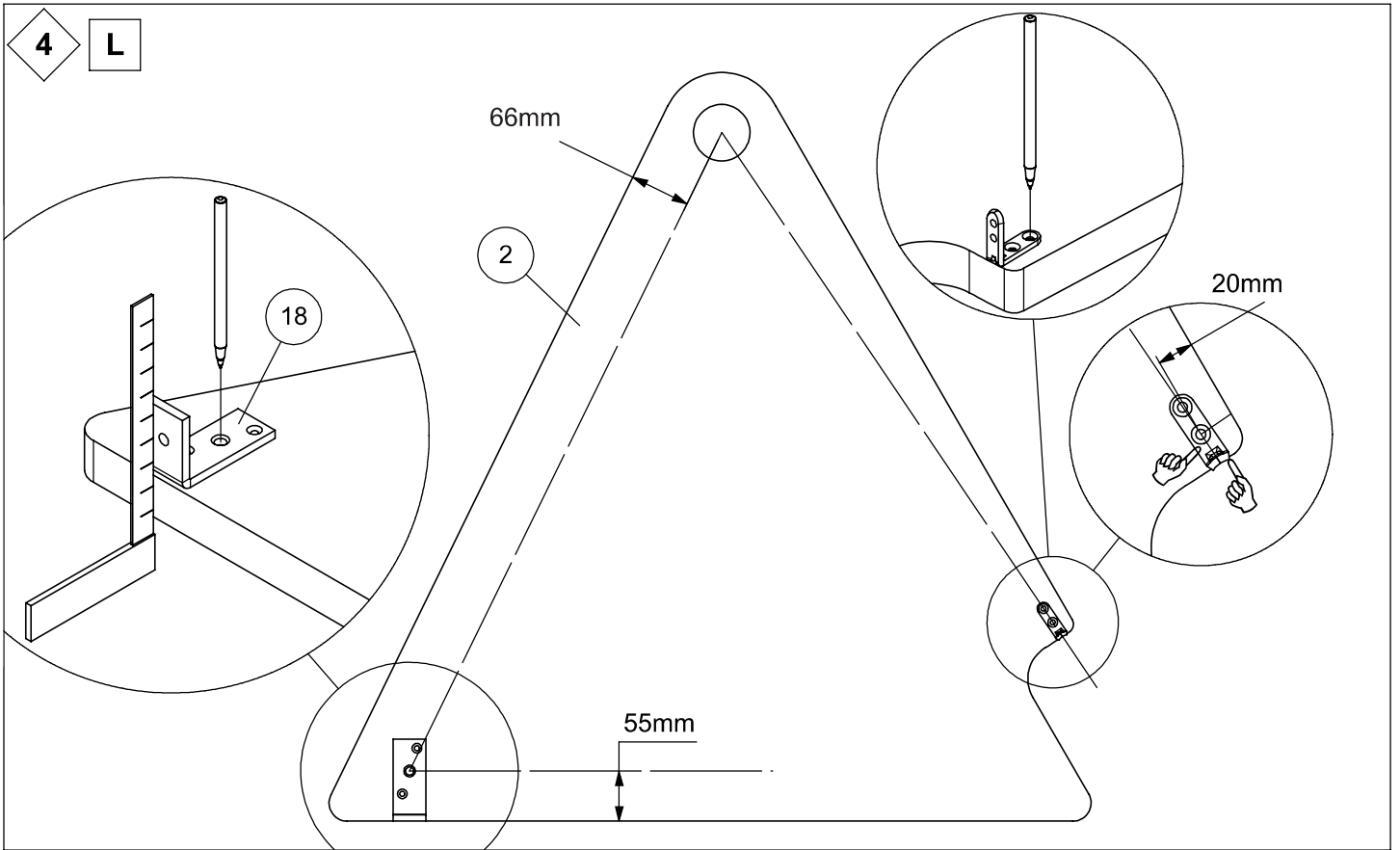


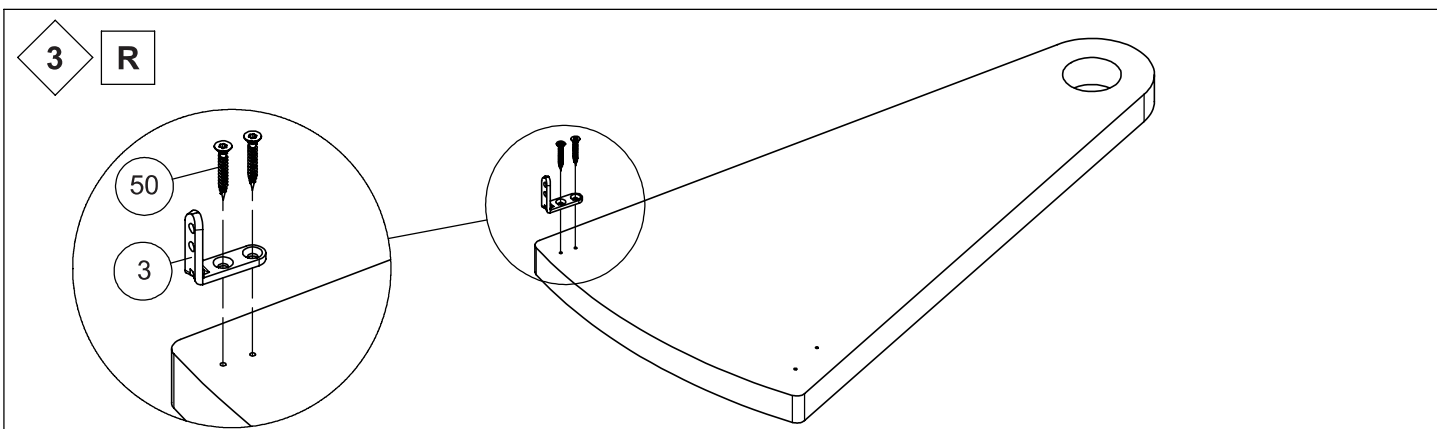
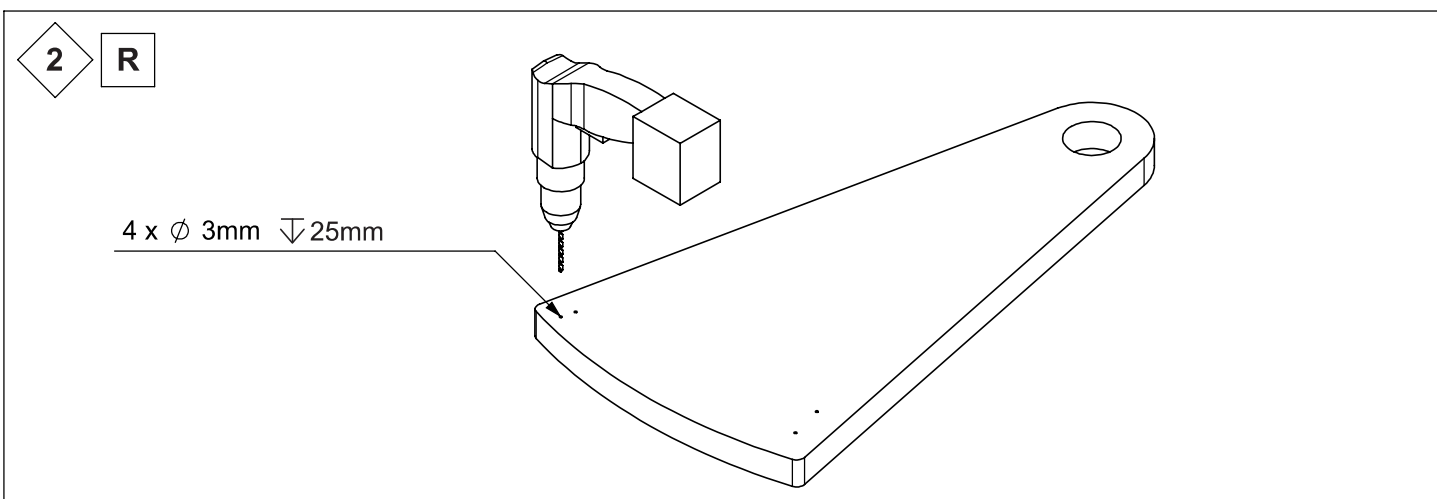
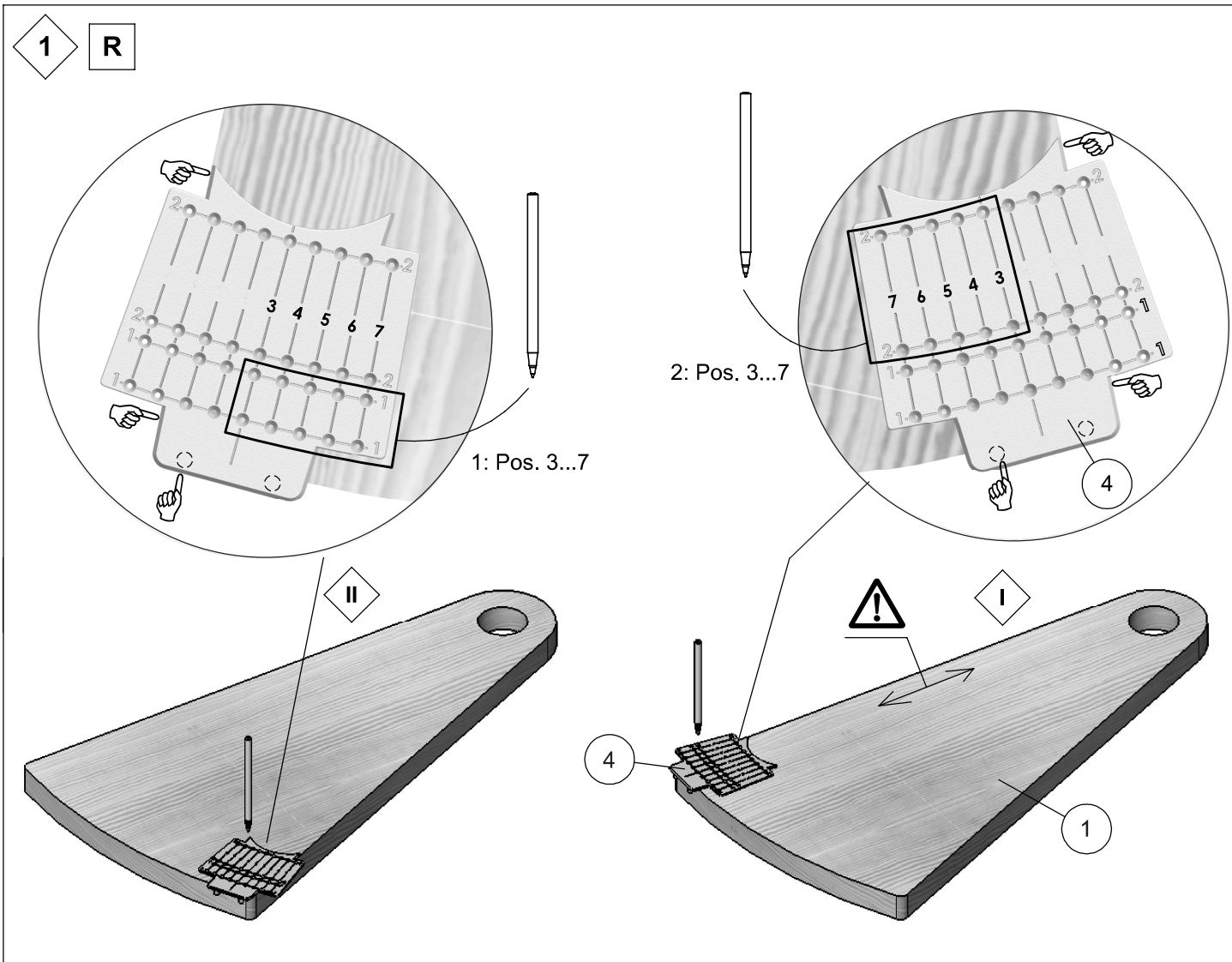
Right  
Recht  
Droite

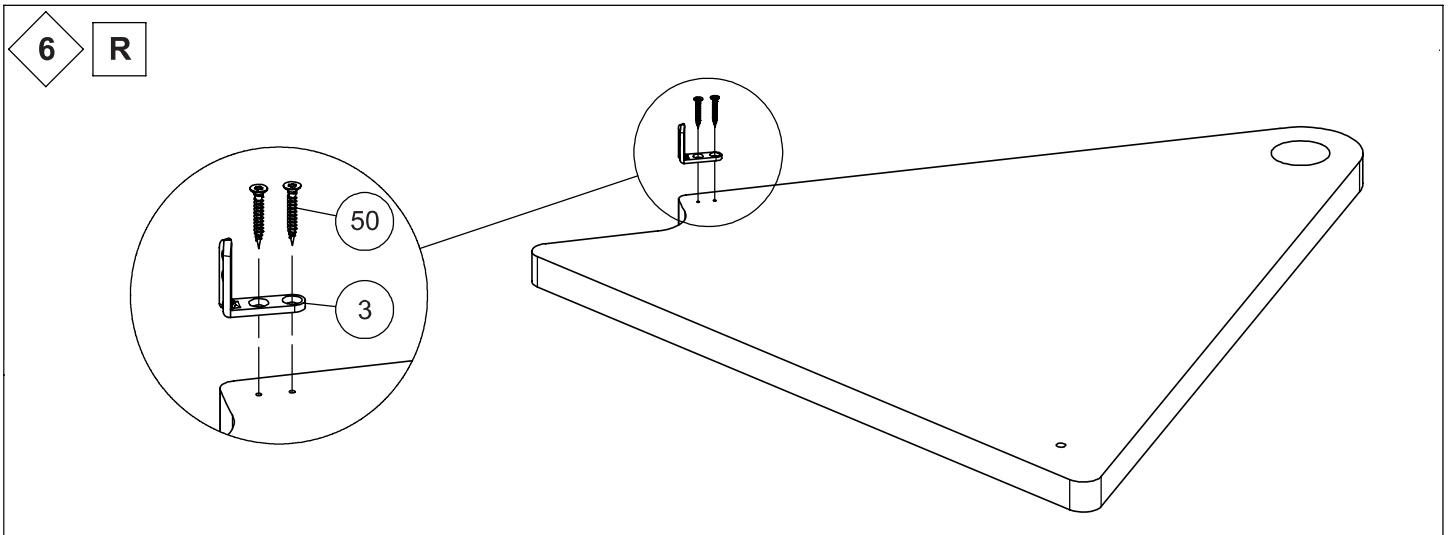
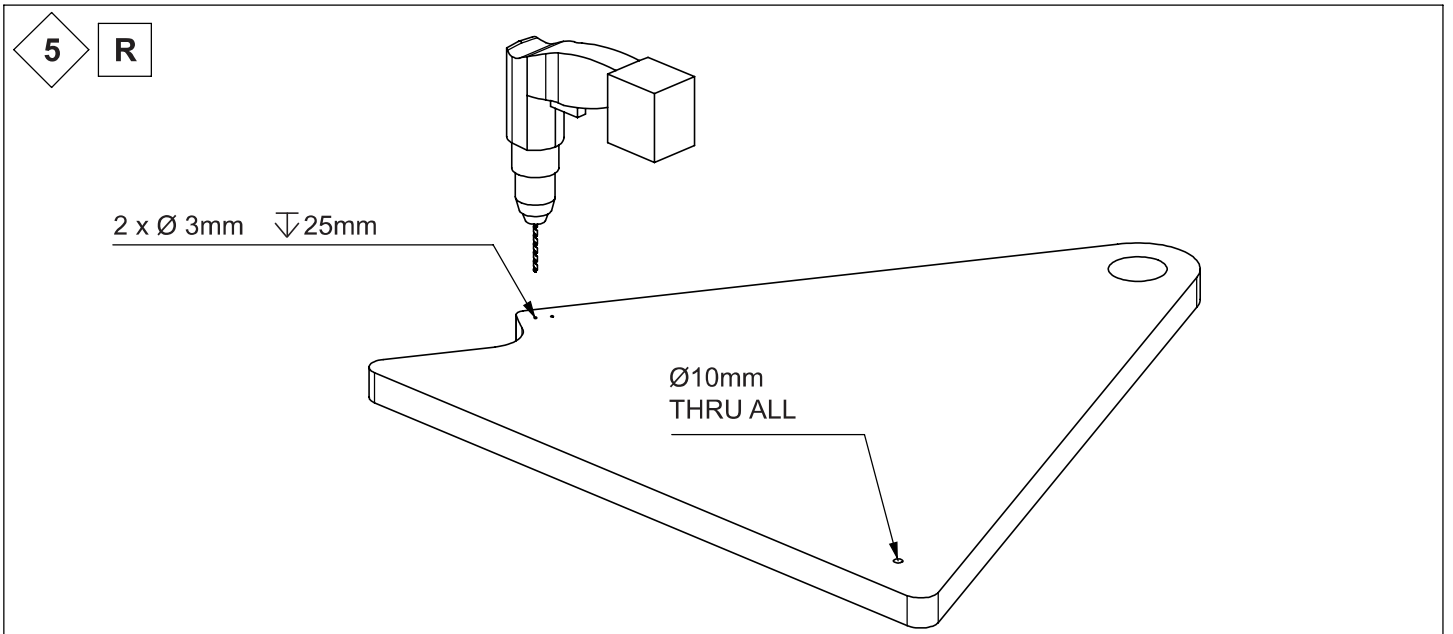
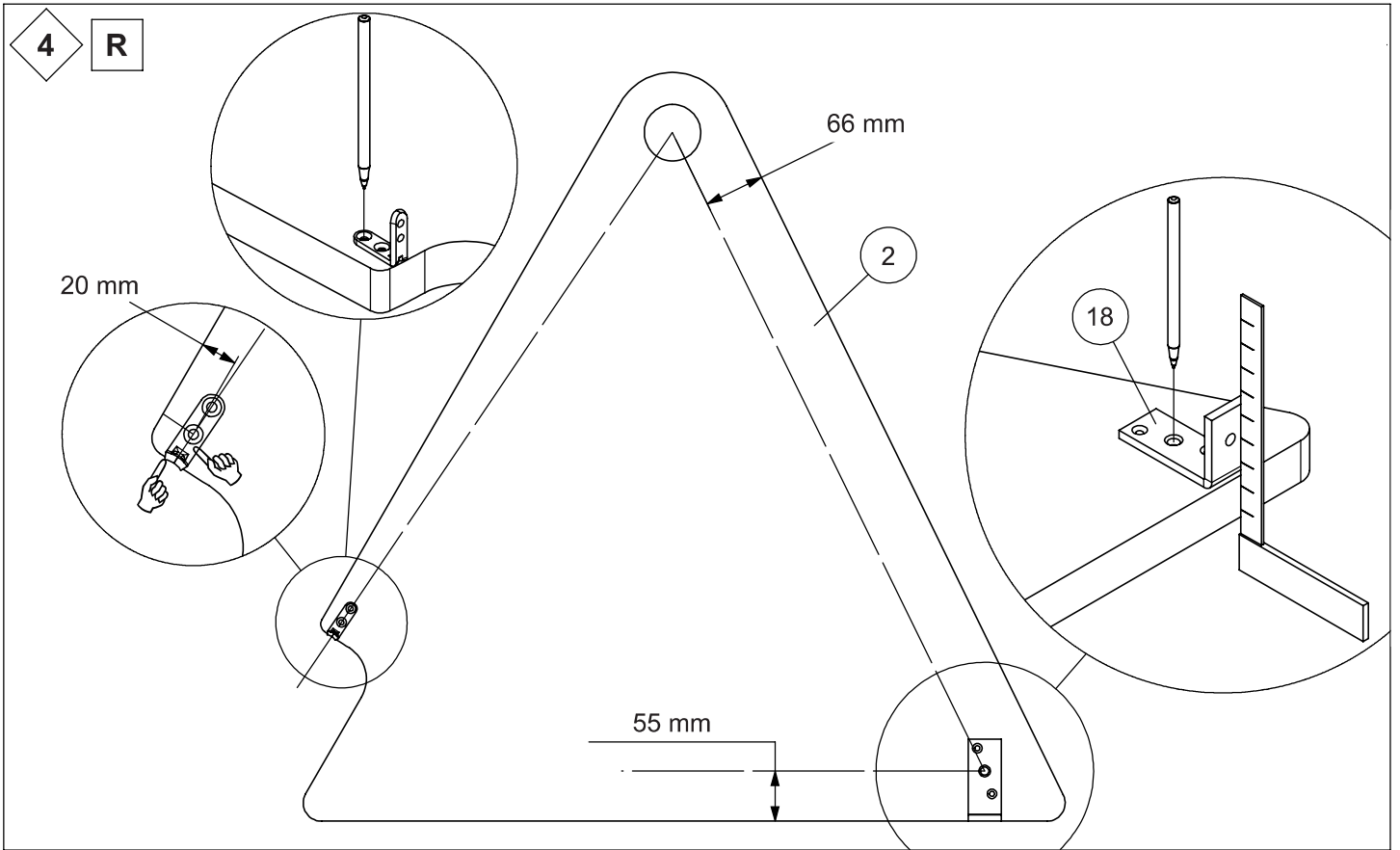


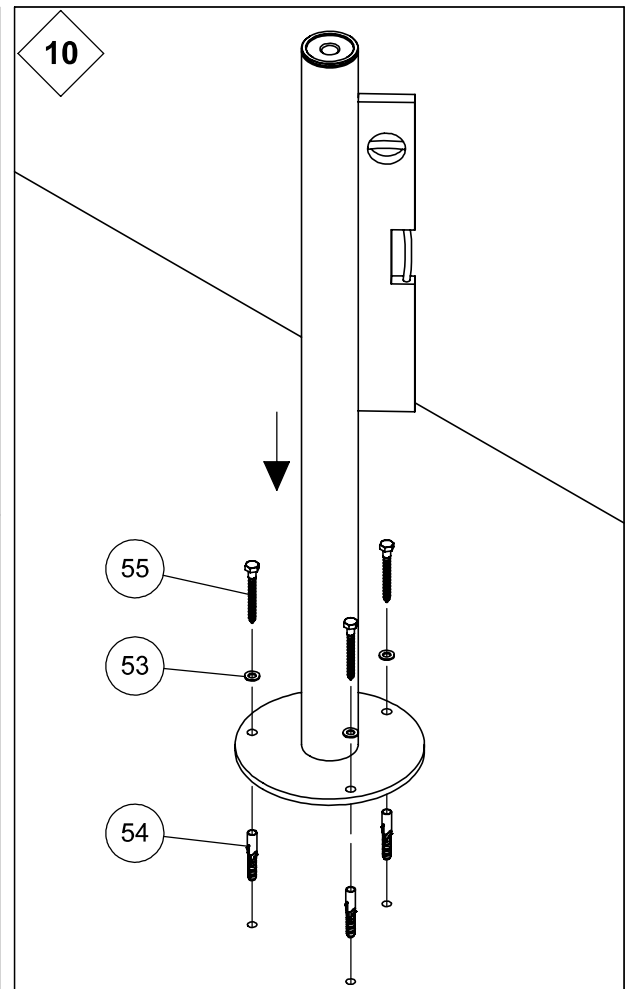
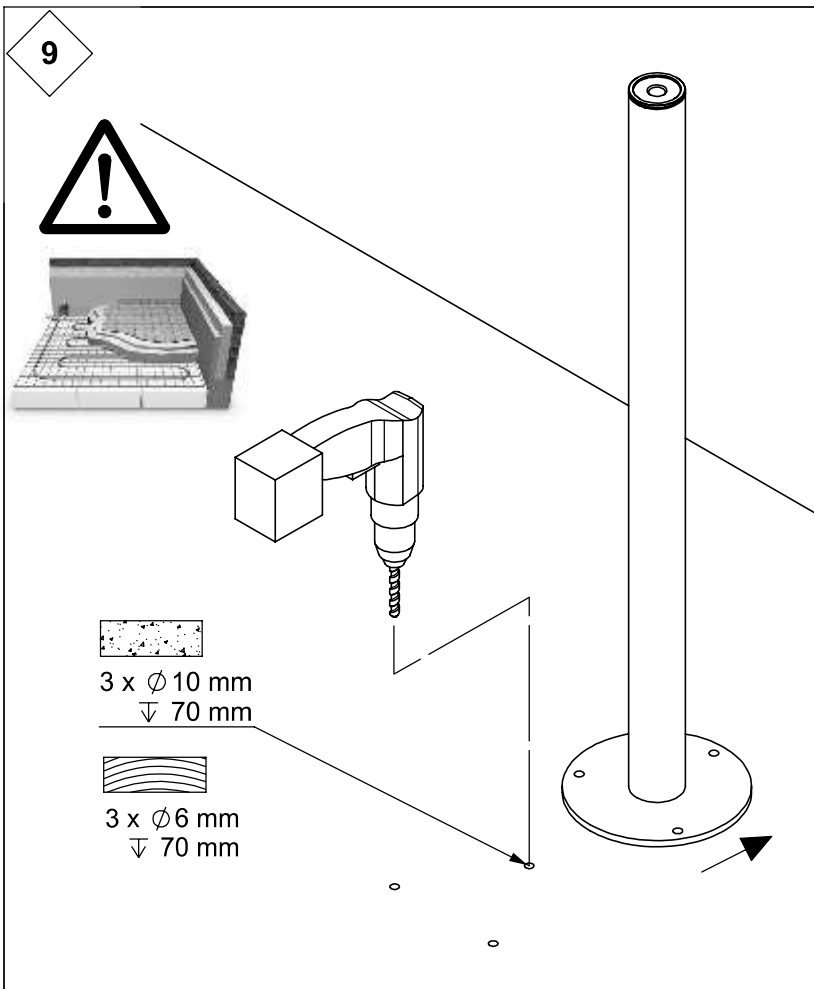
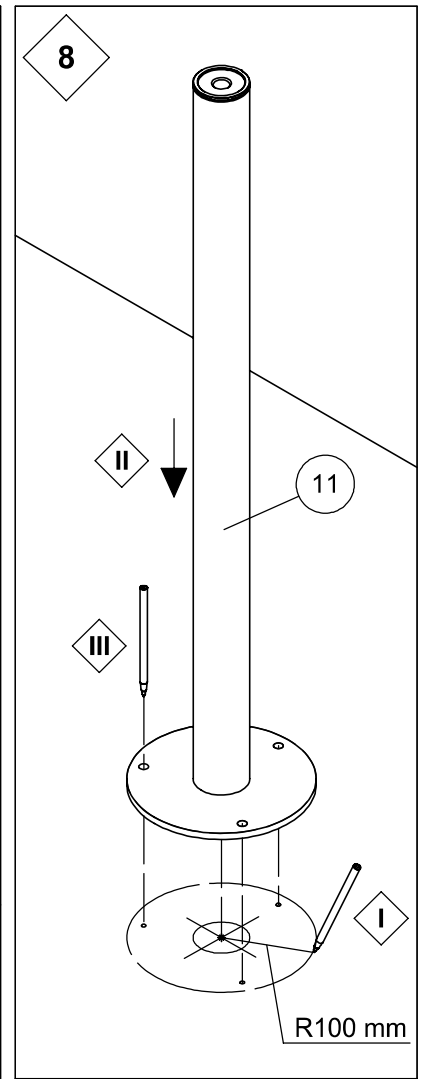
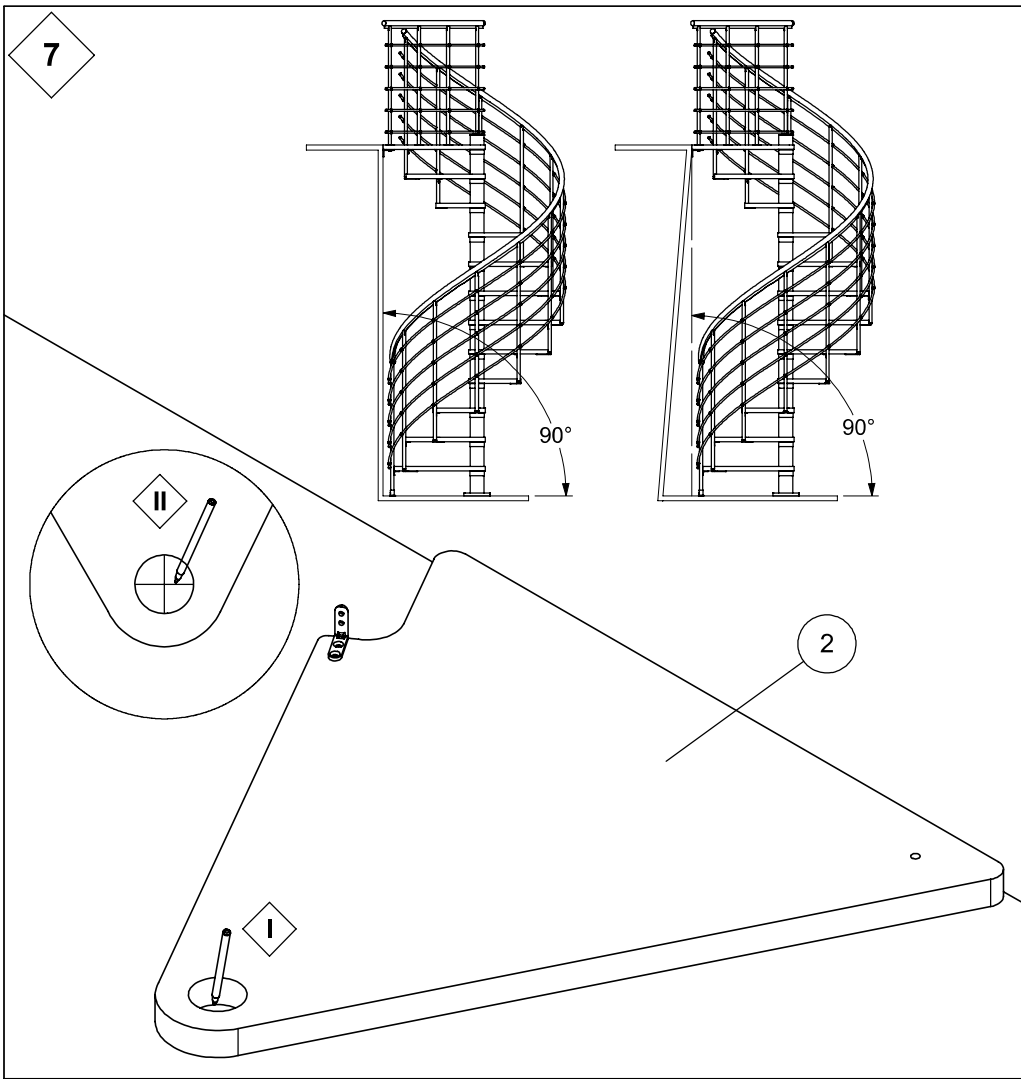
1 R

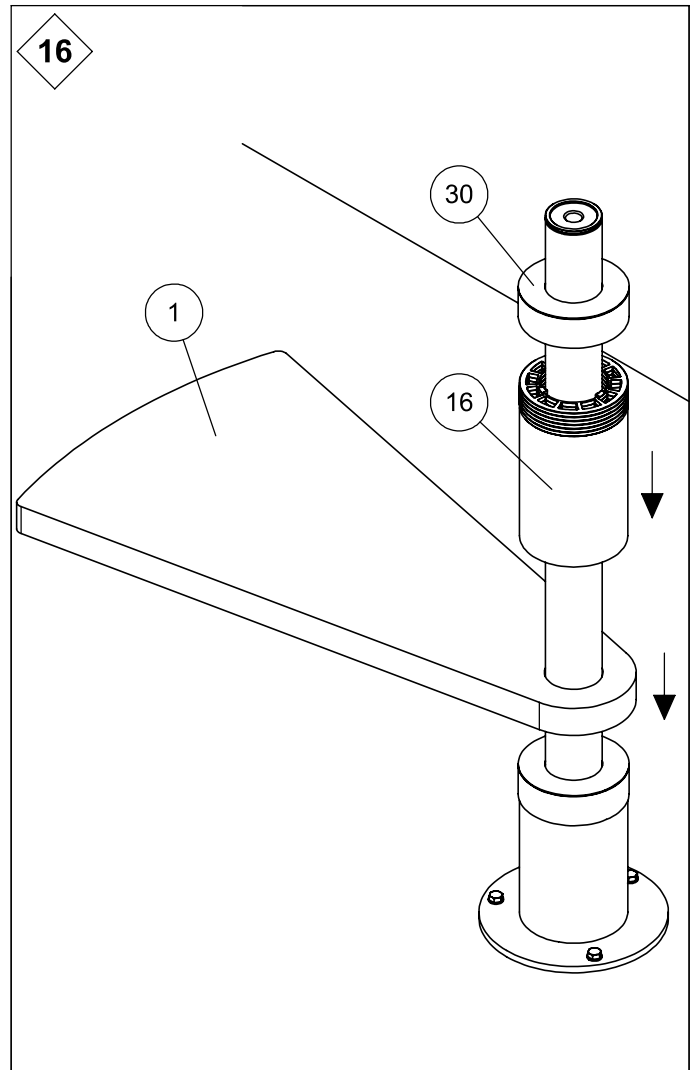
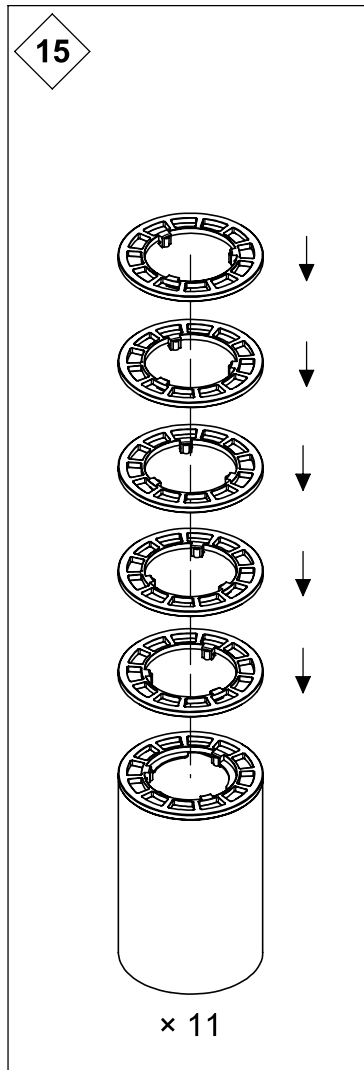
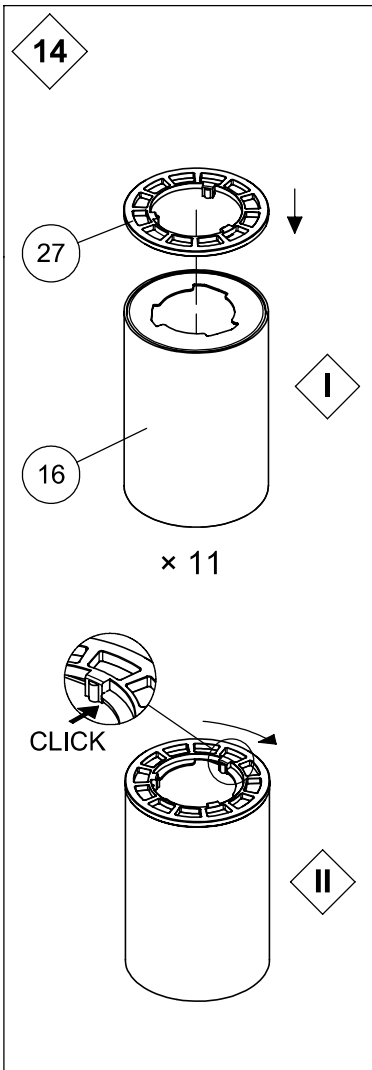
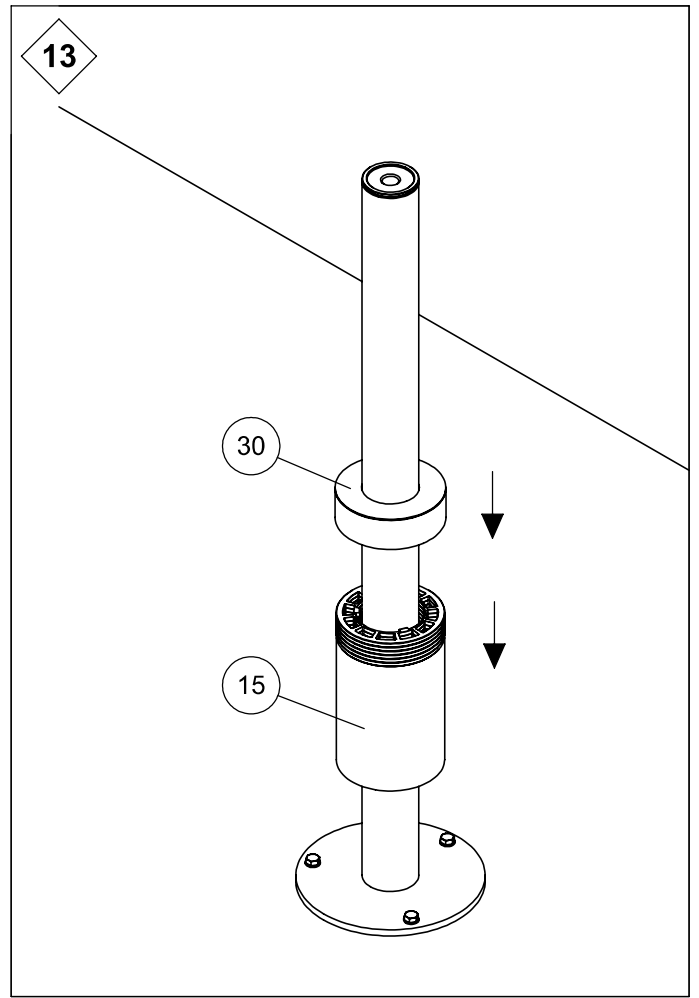
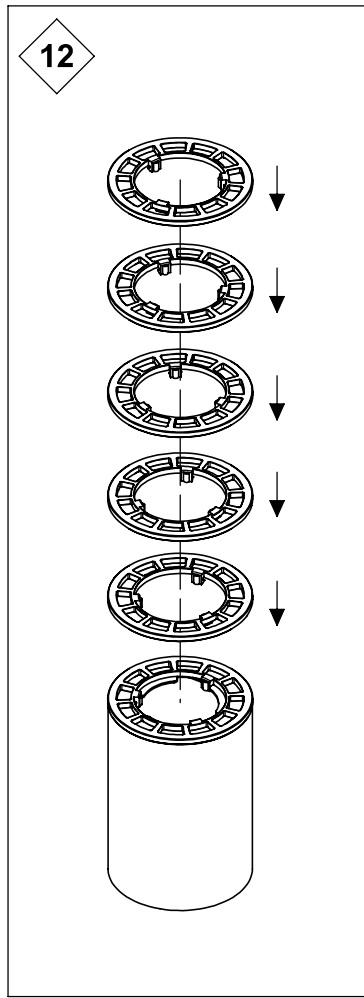
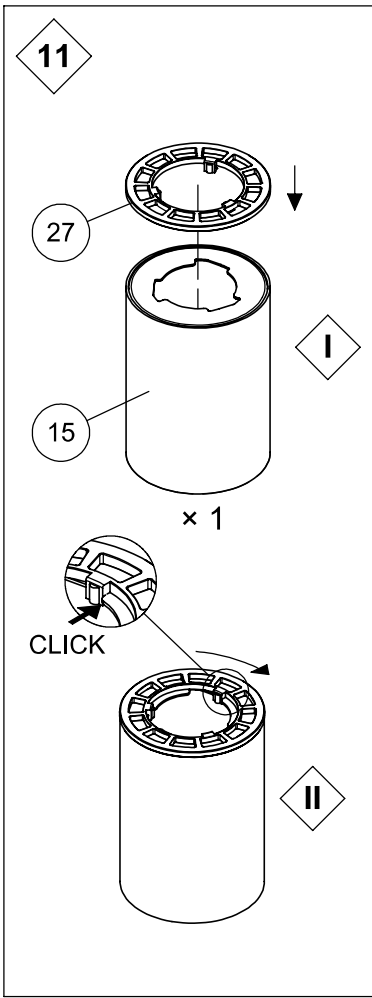




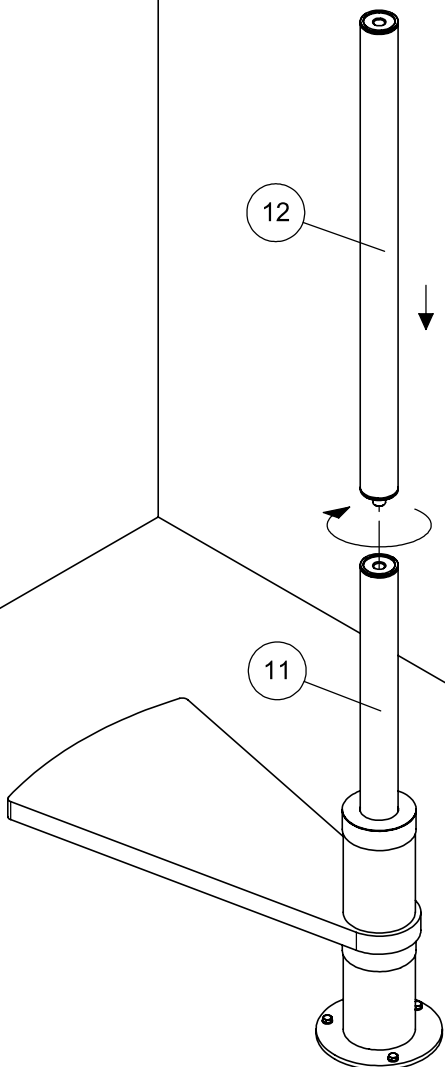




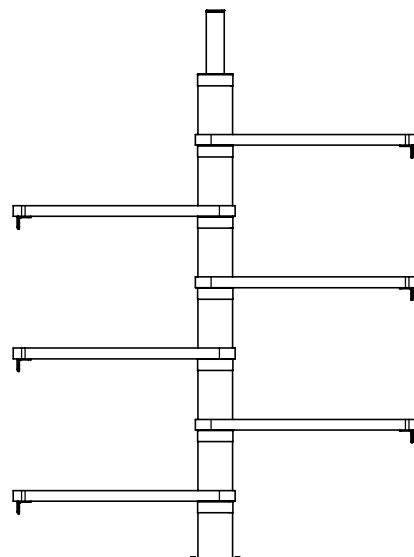
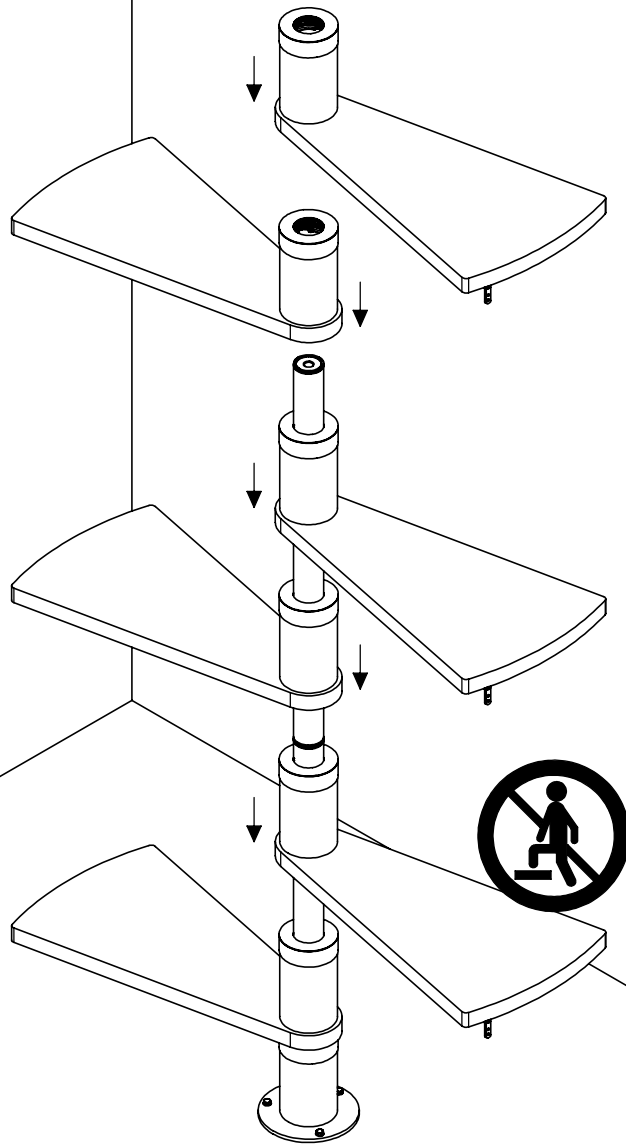


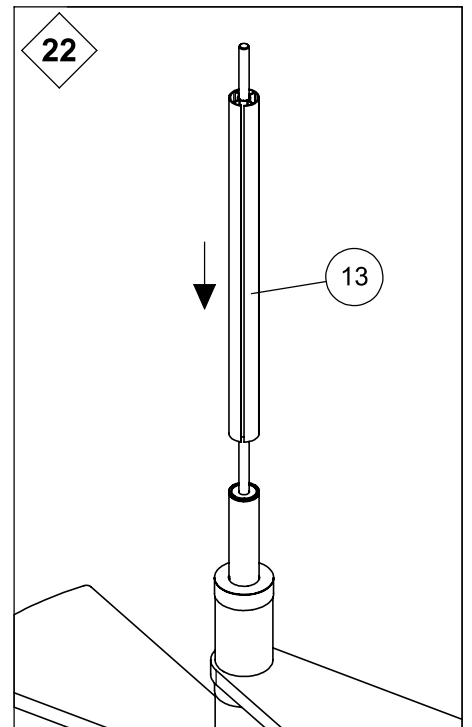
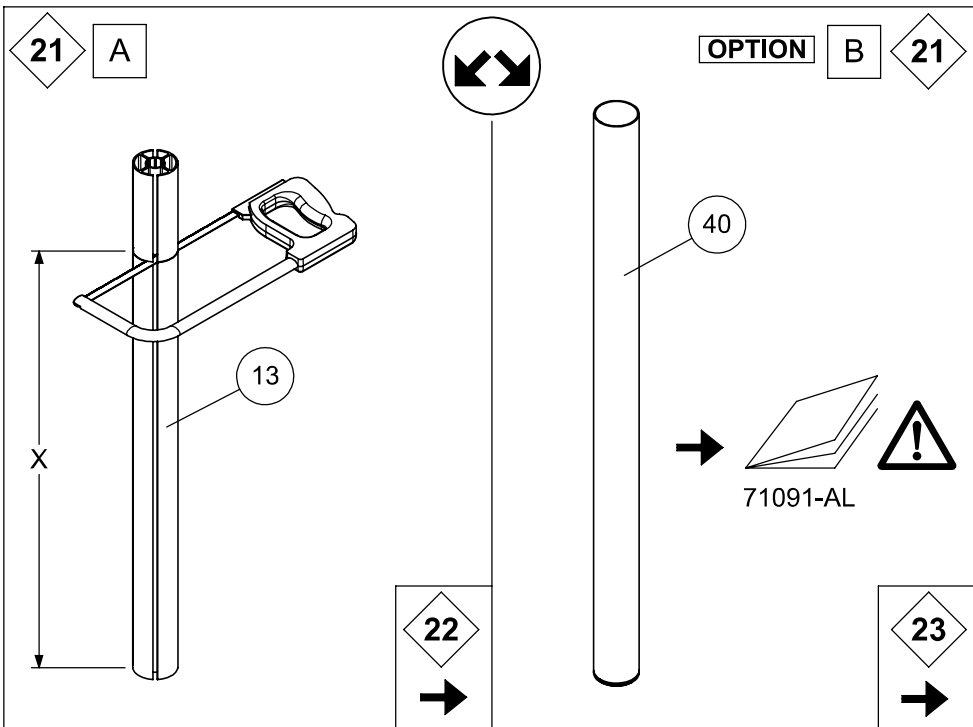
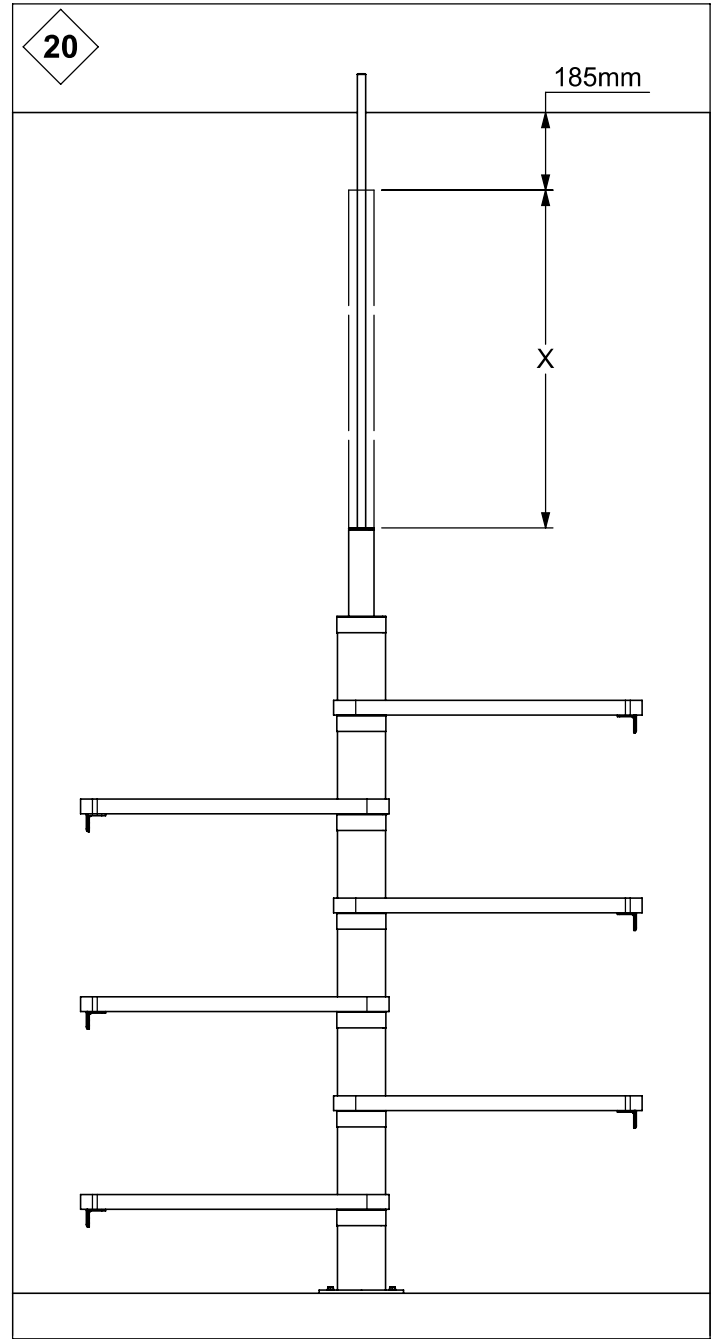
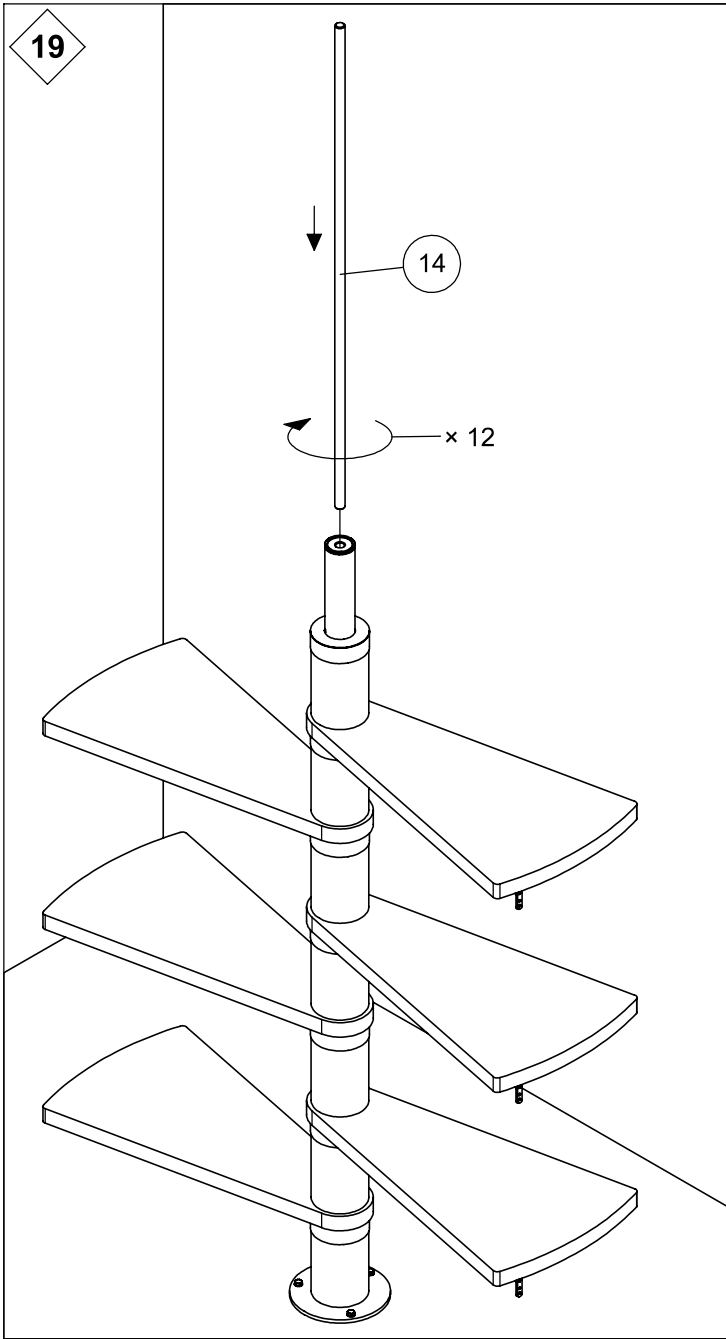


17

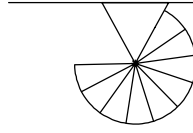
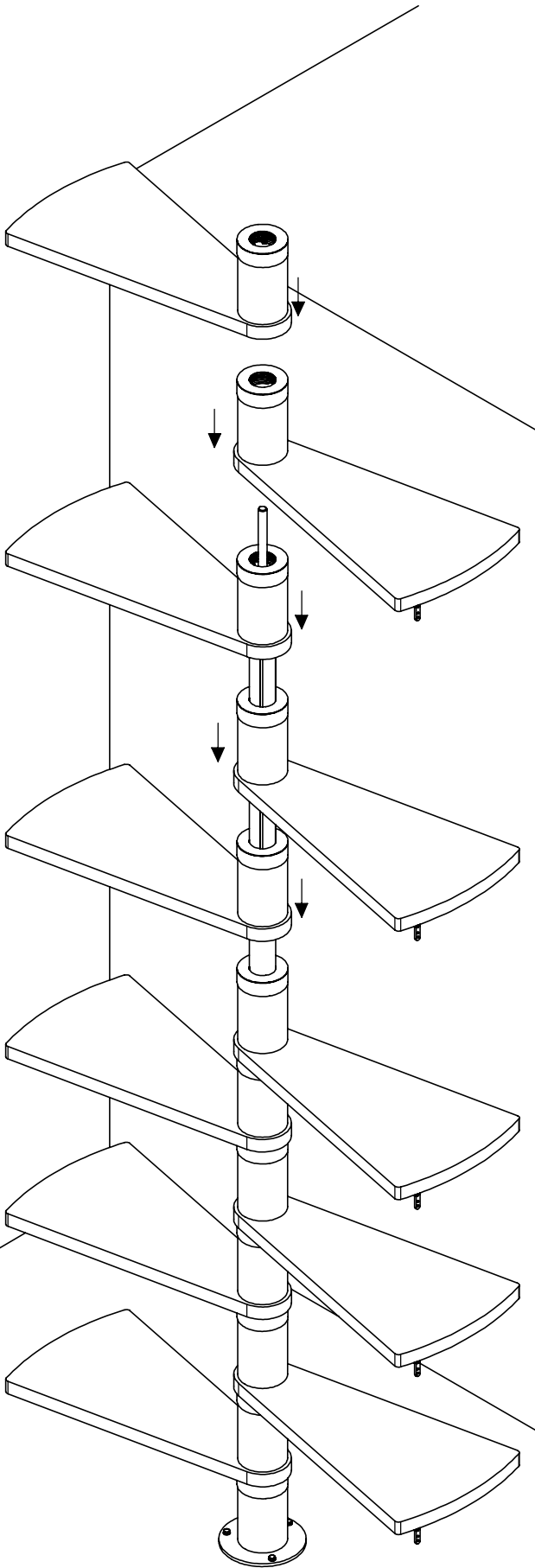


18

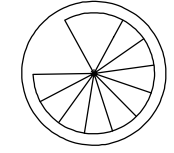
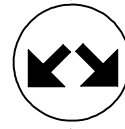




23

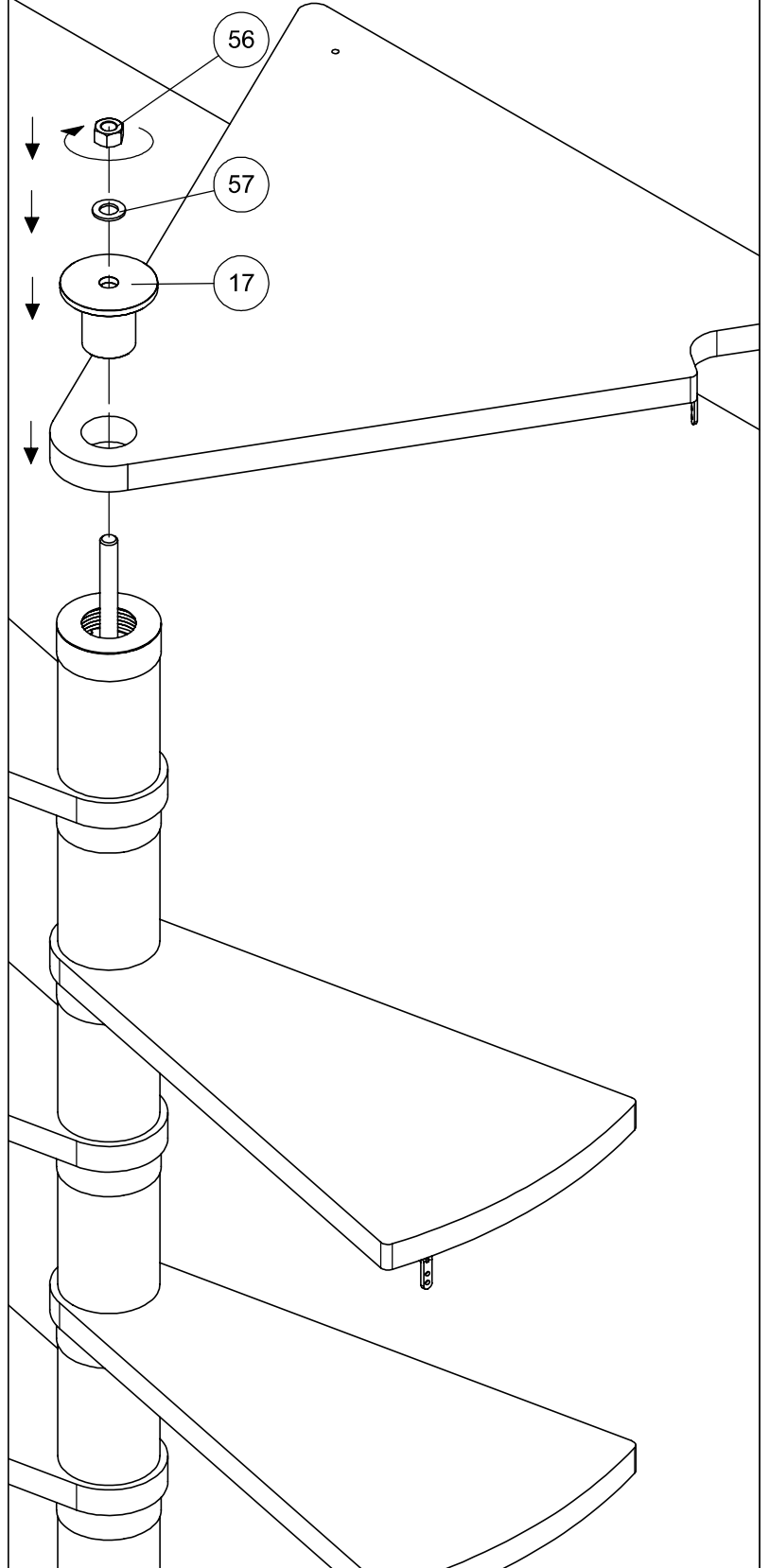


24 - 28

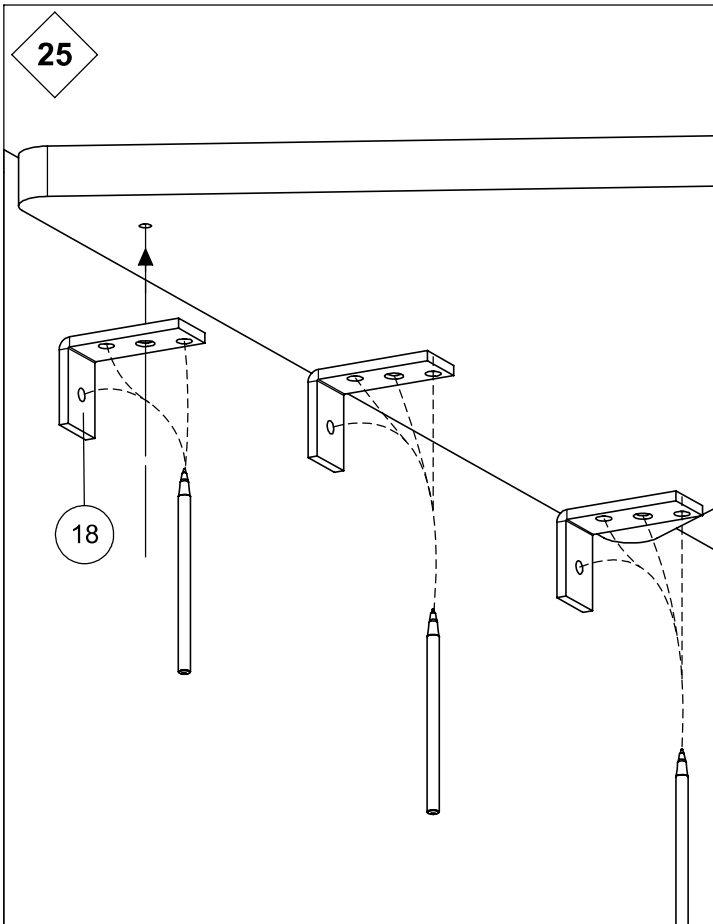


29 - 37

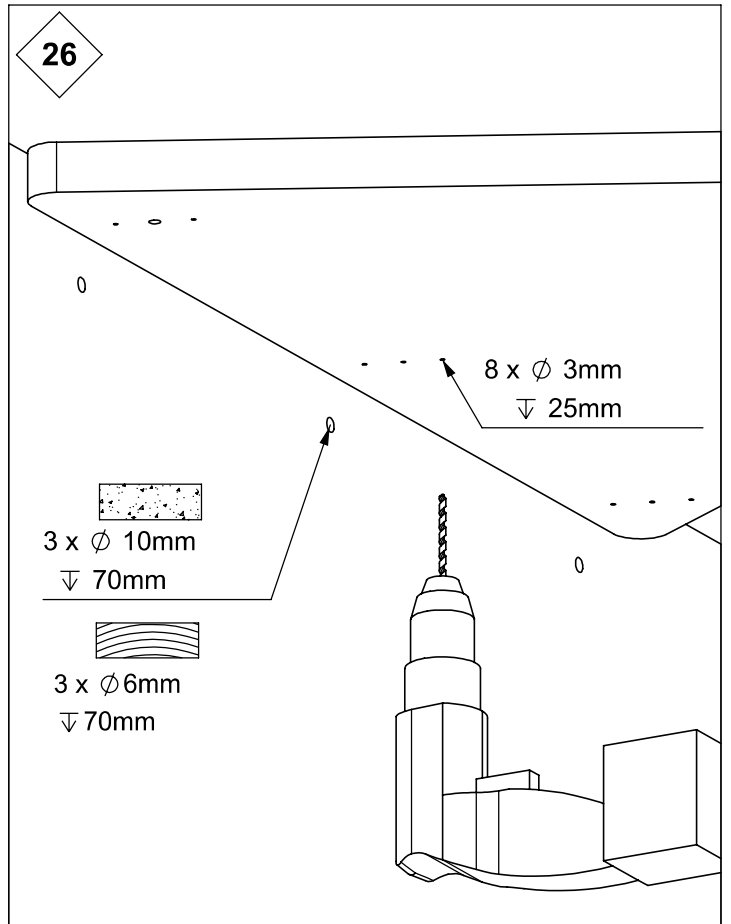
24



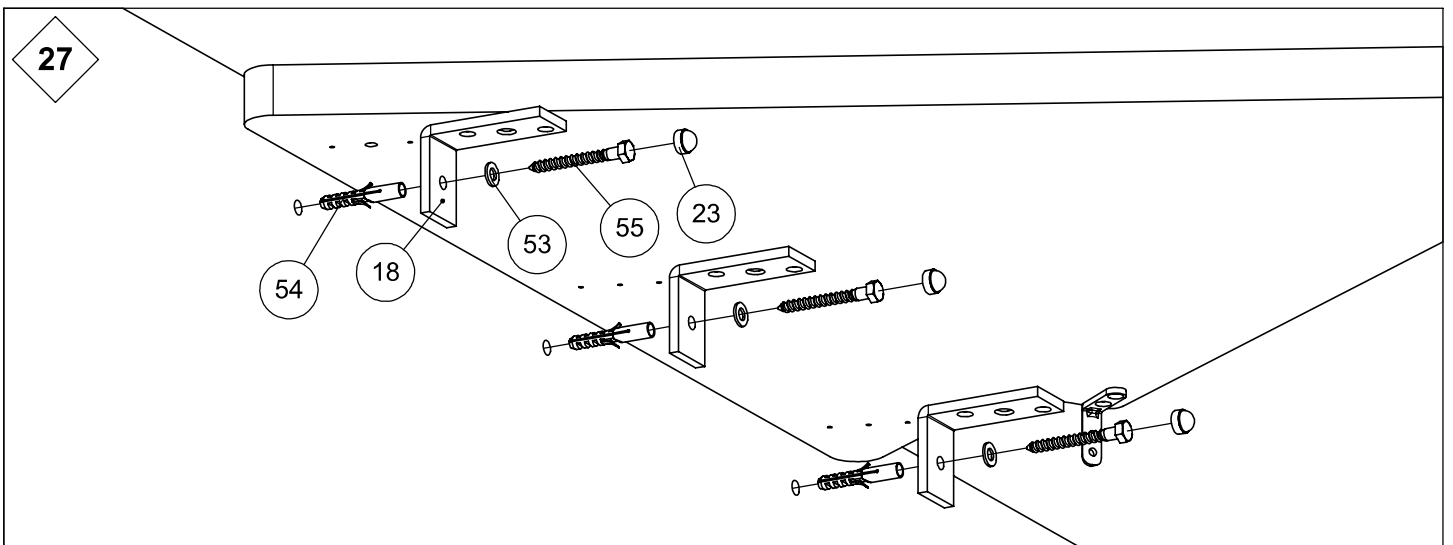
25



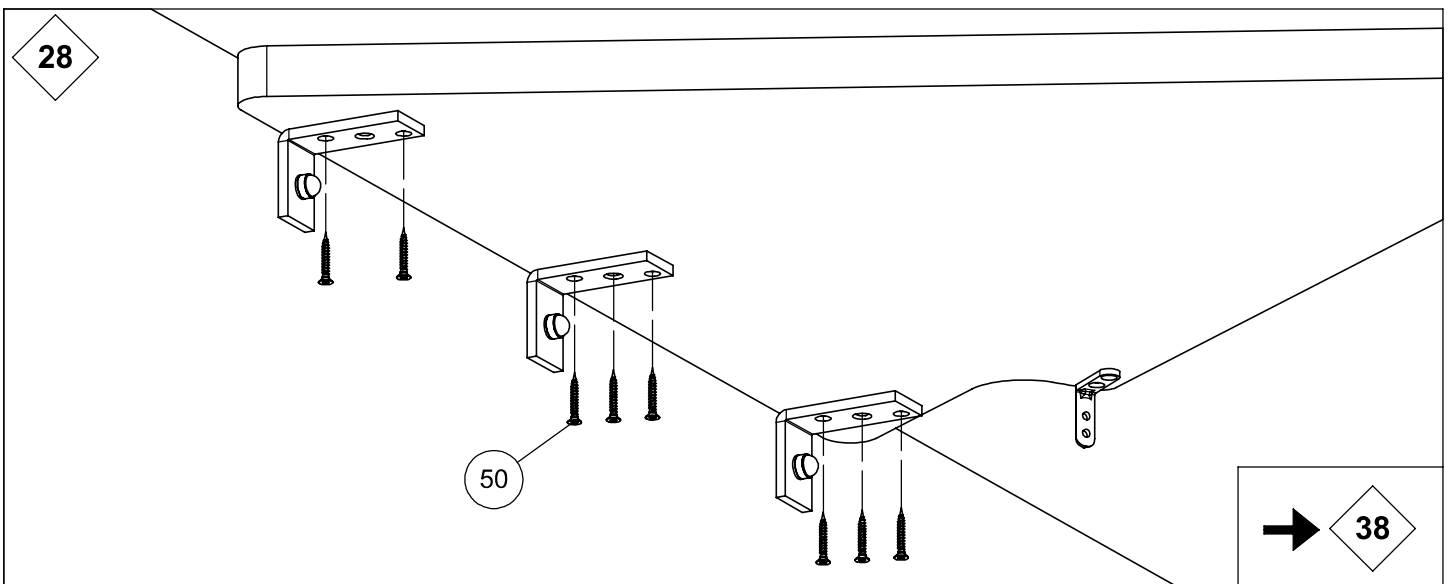
26

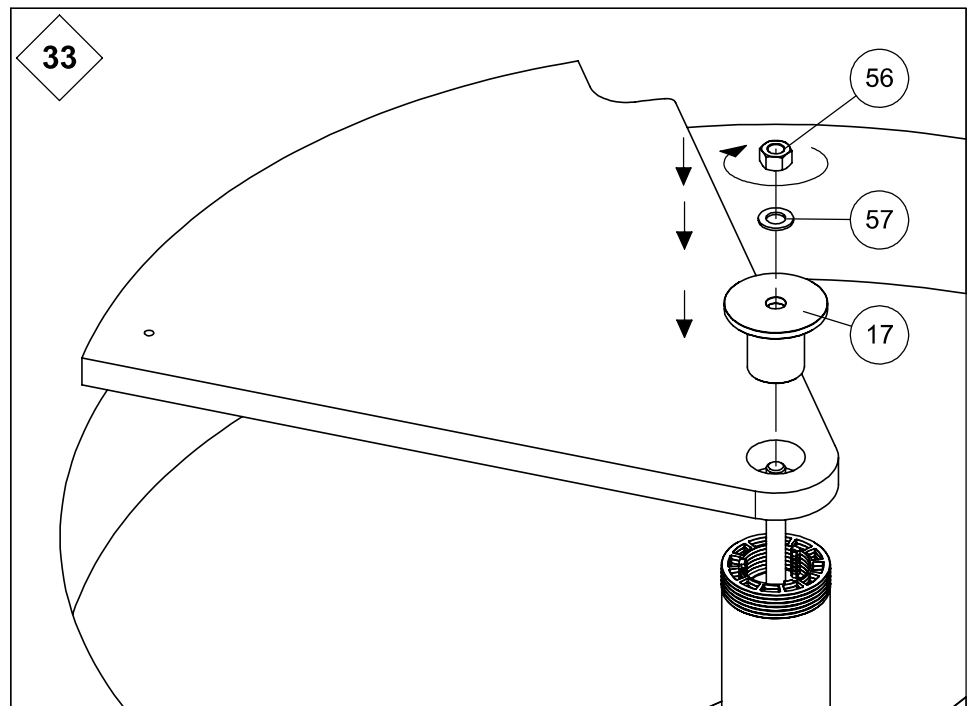
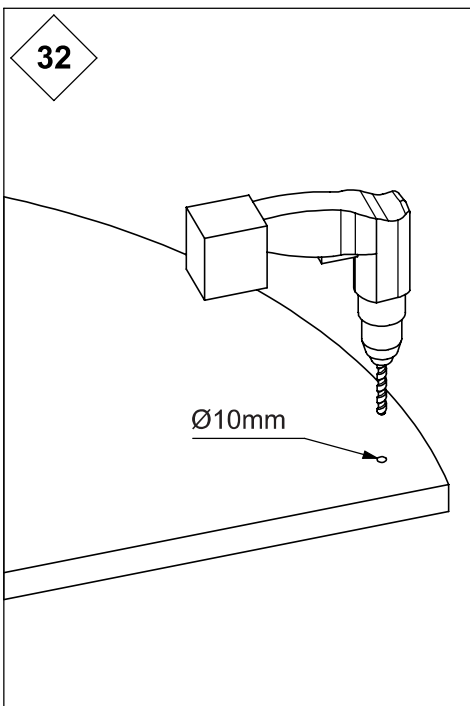
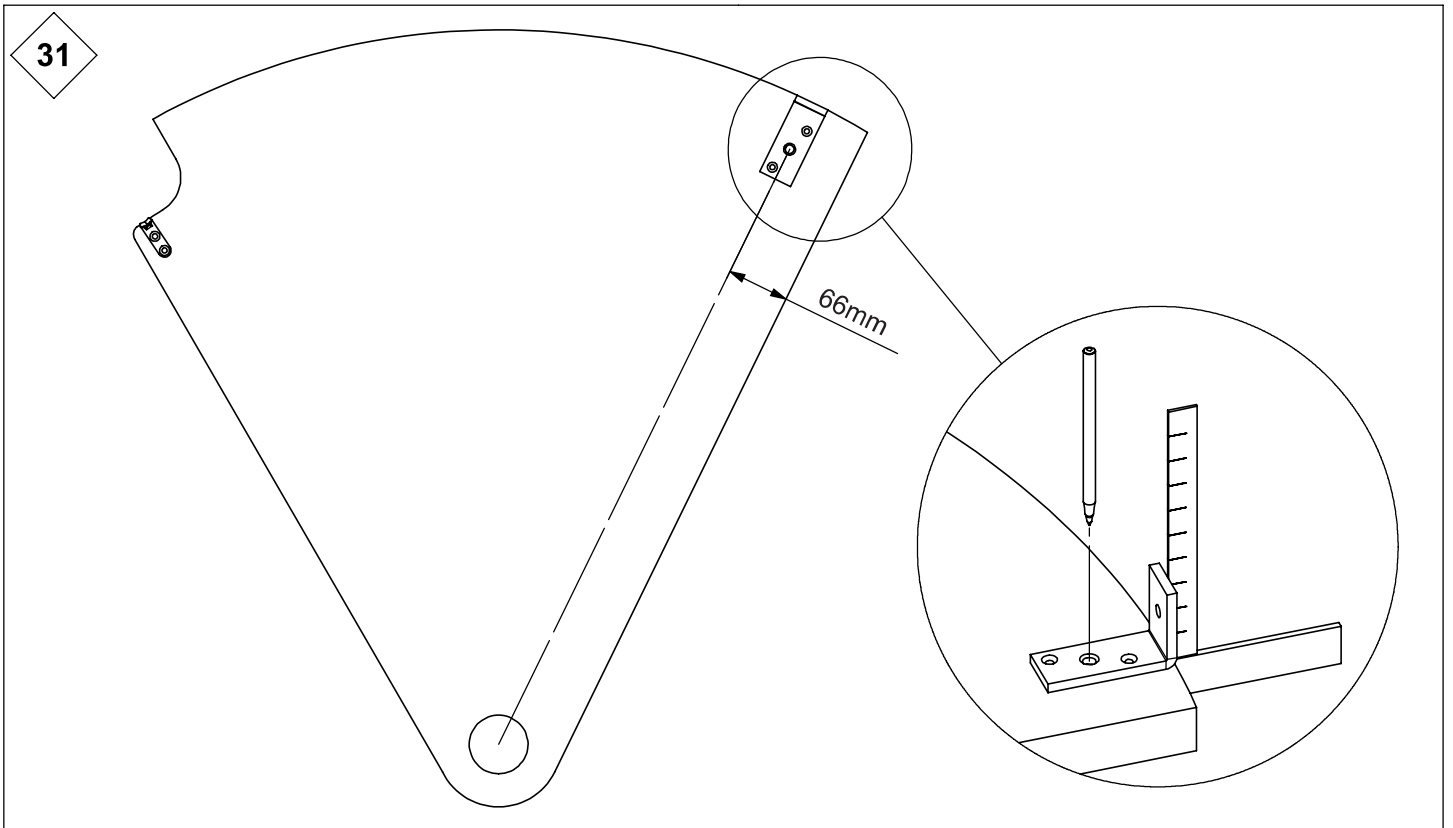
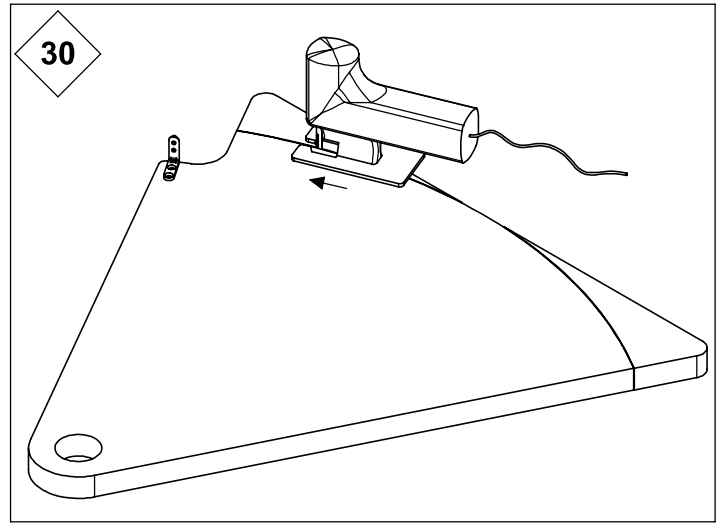
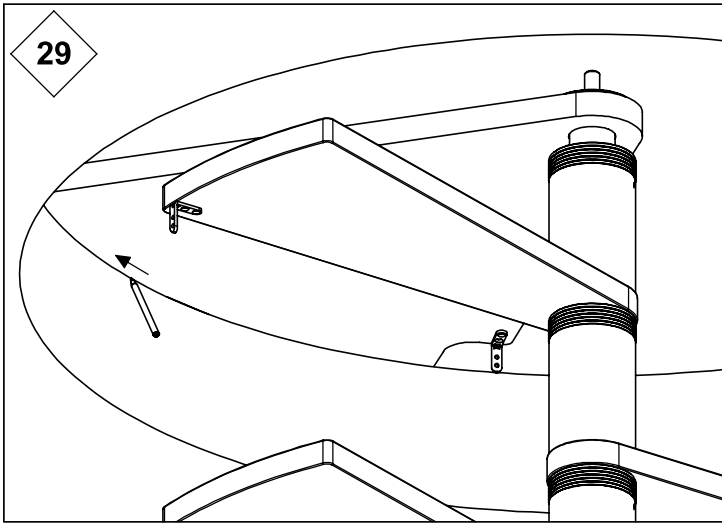


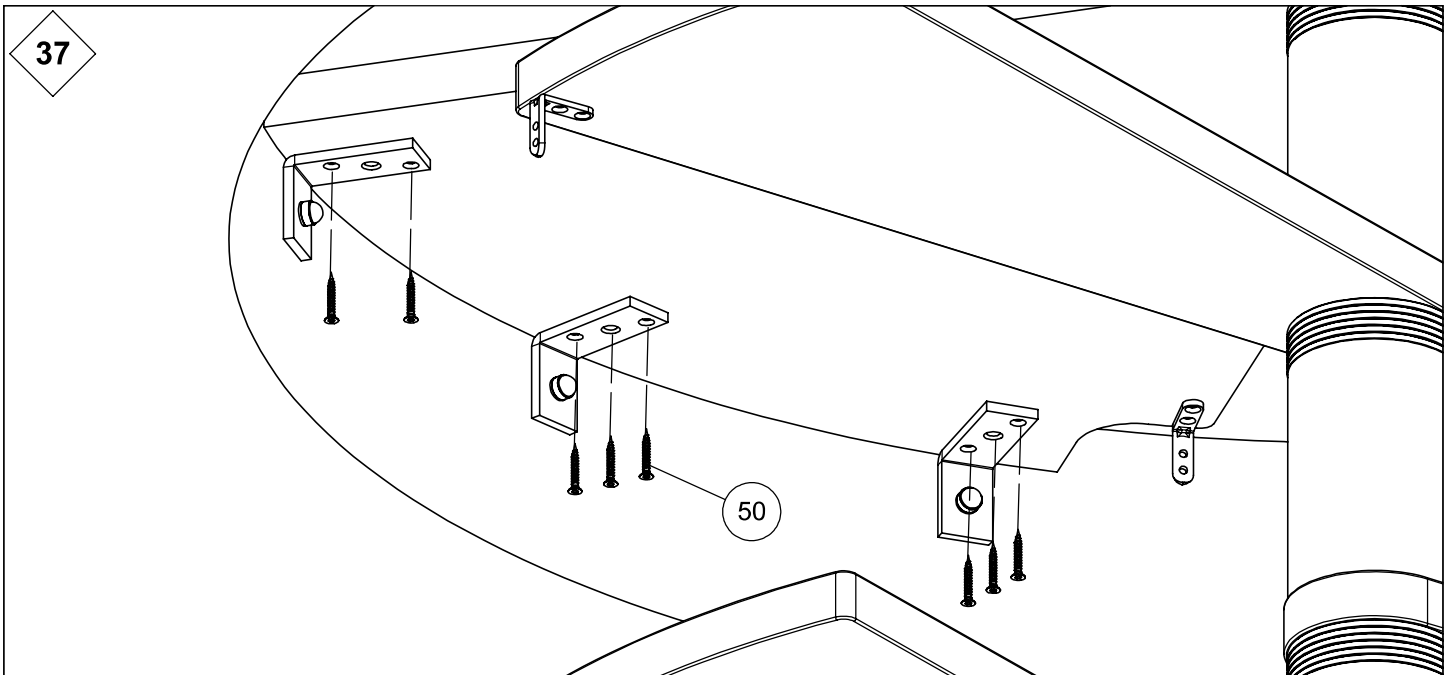
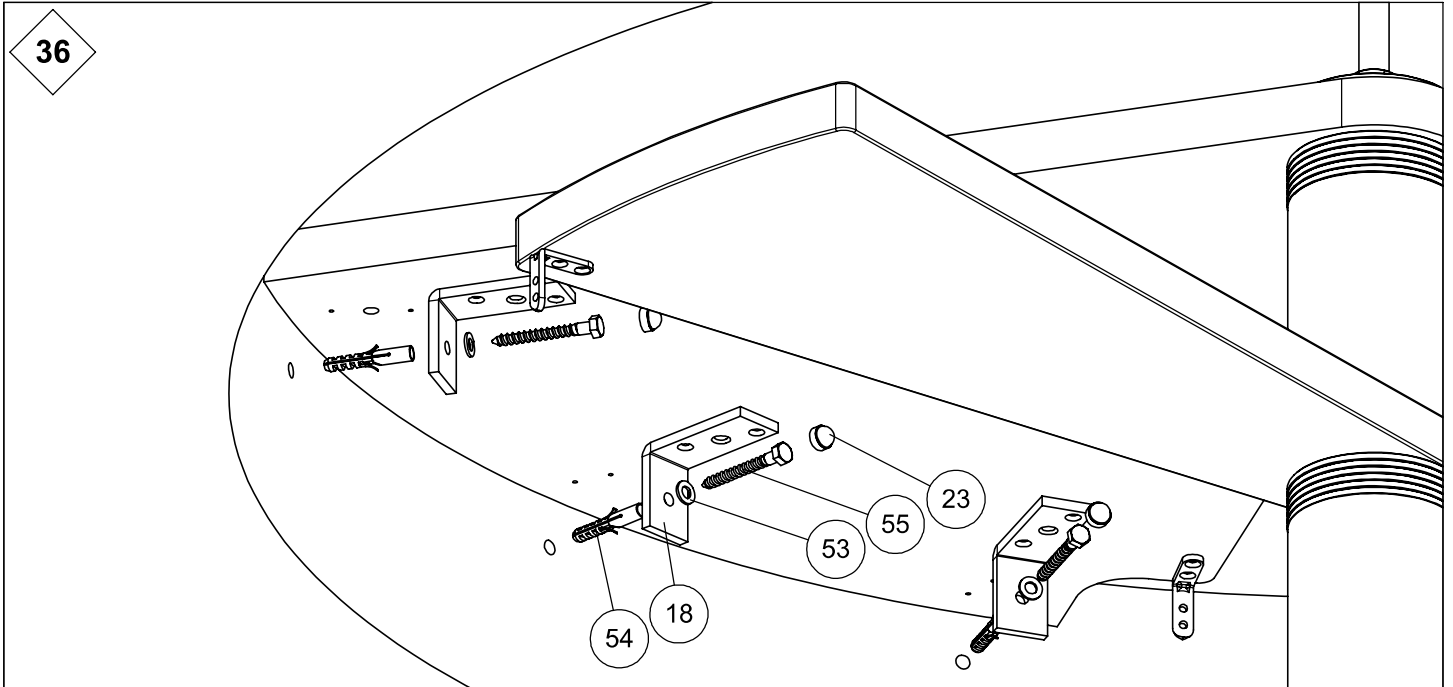
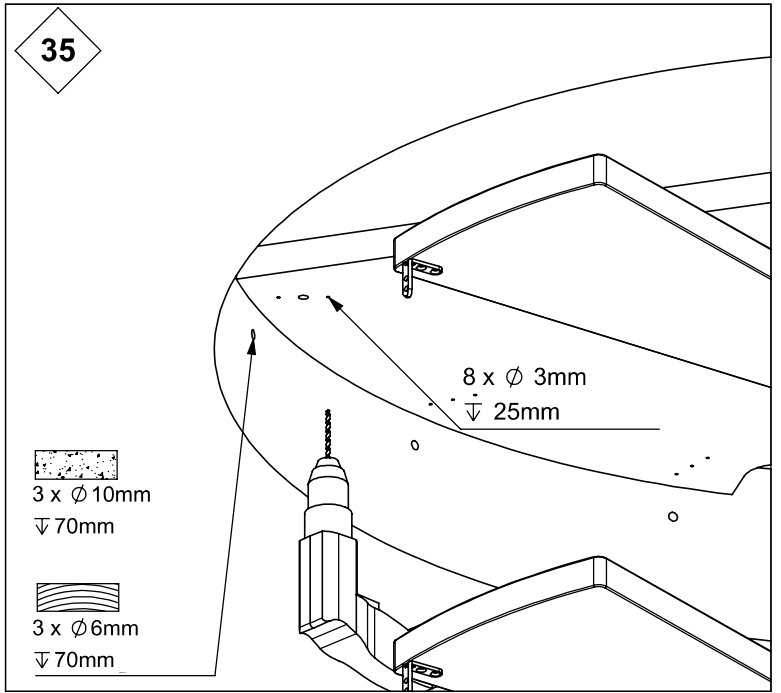
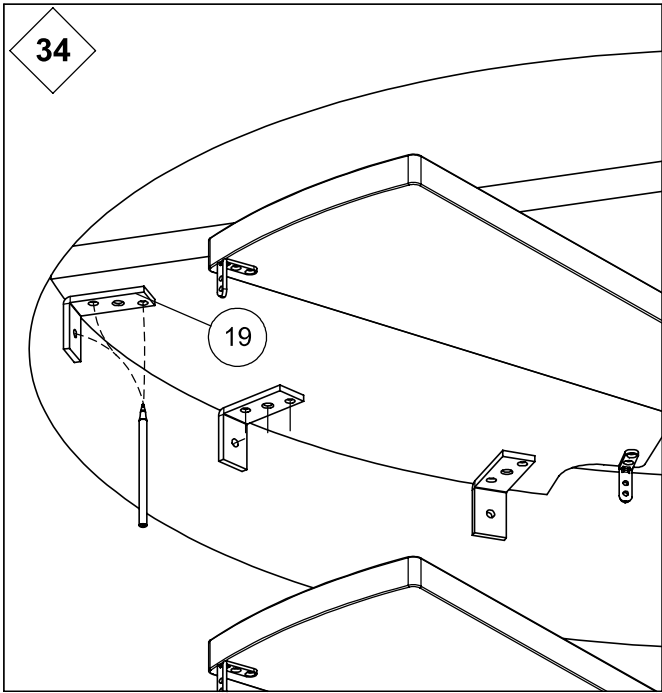
27

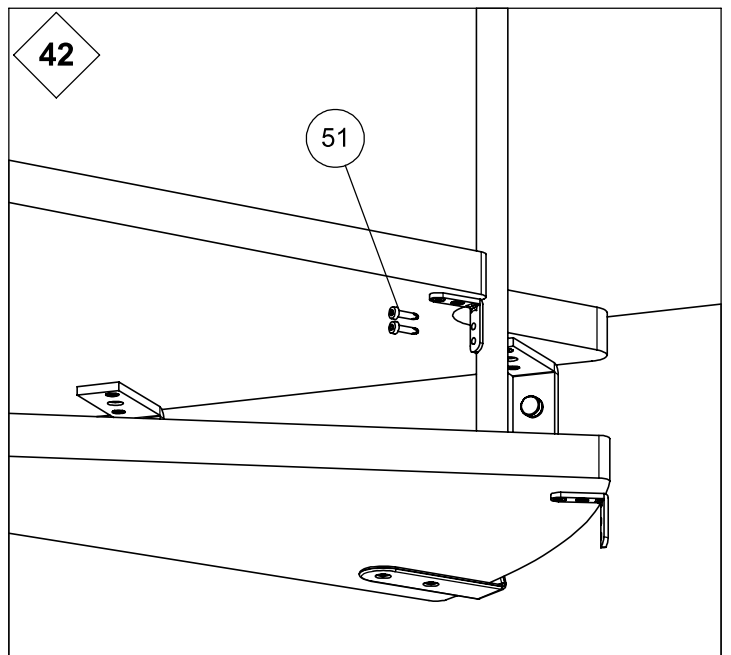
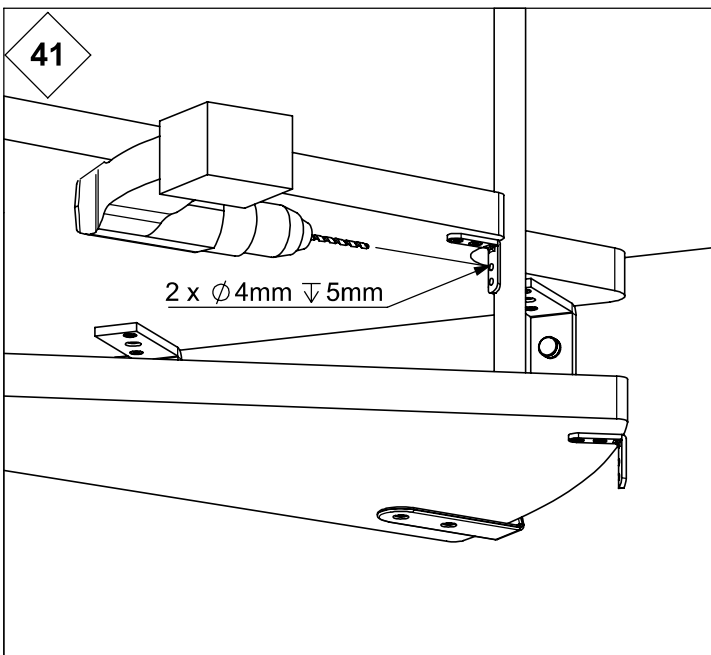
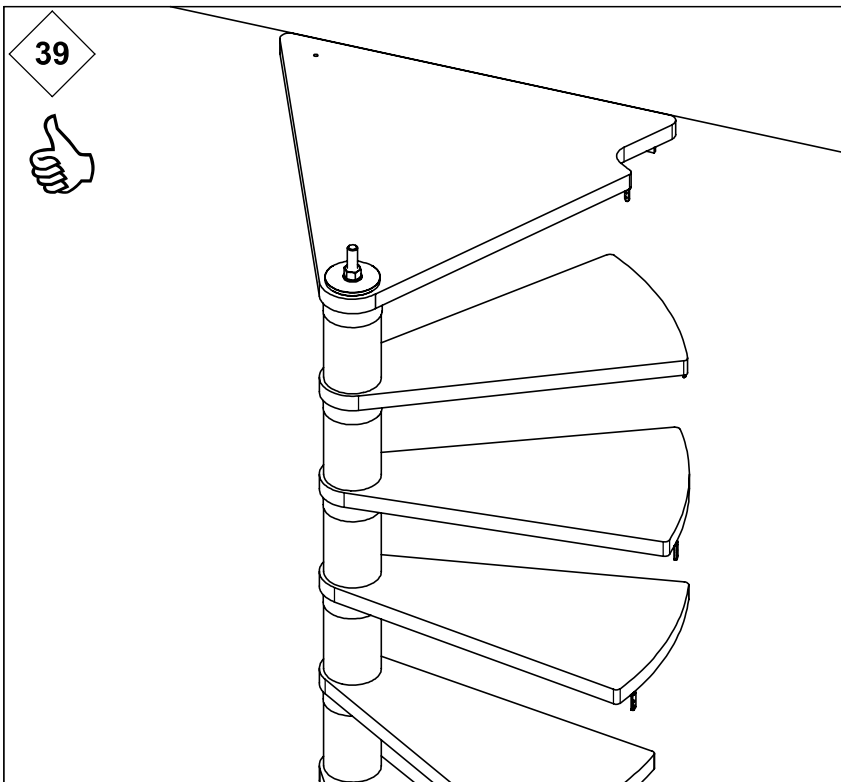
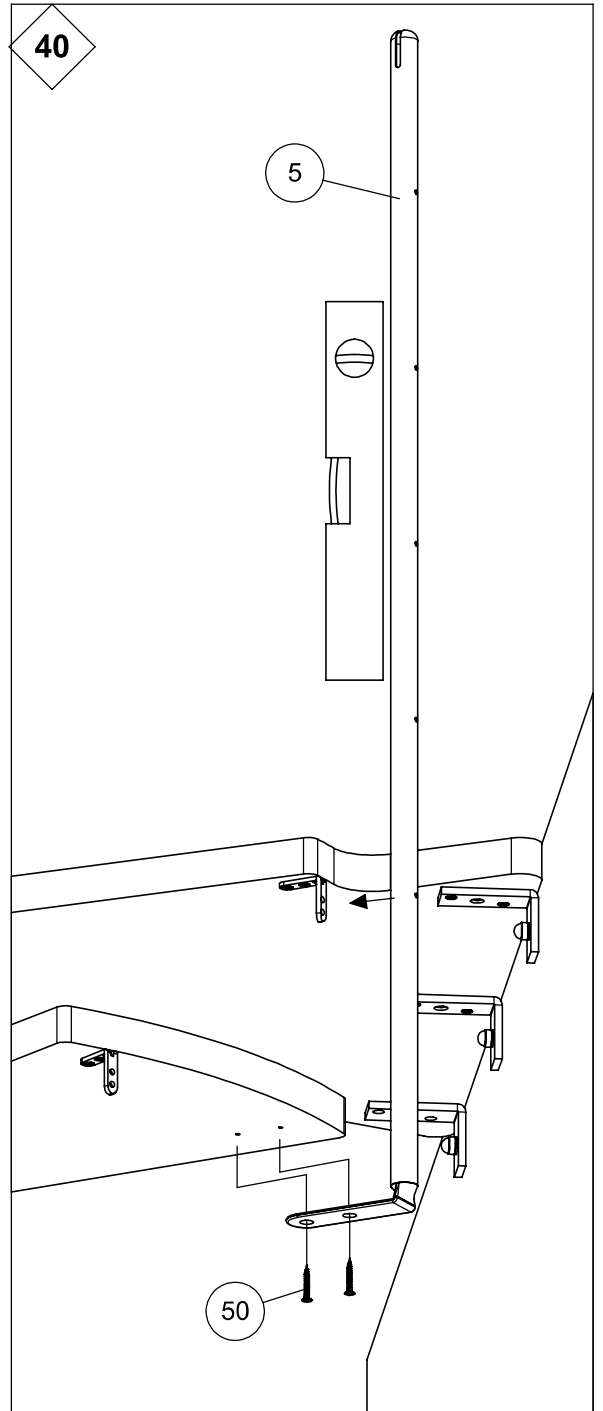
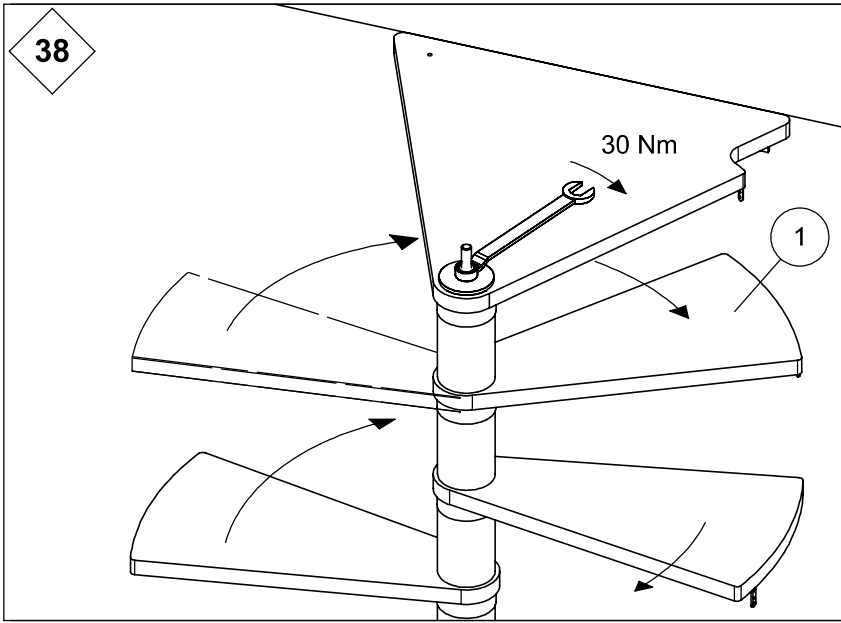


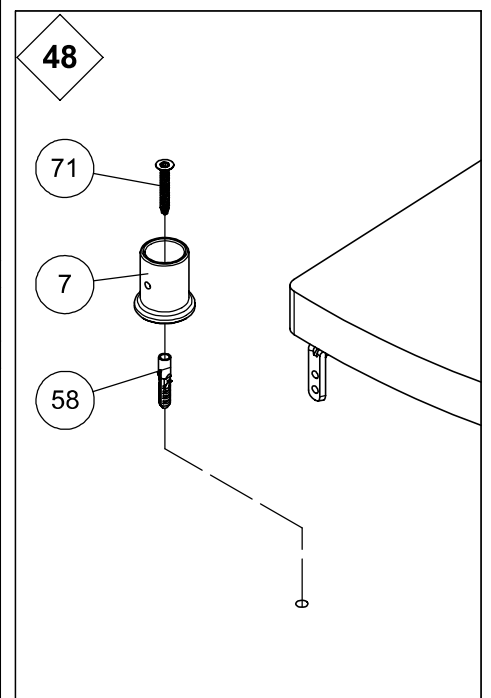
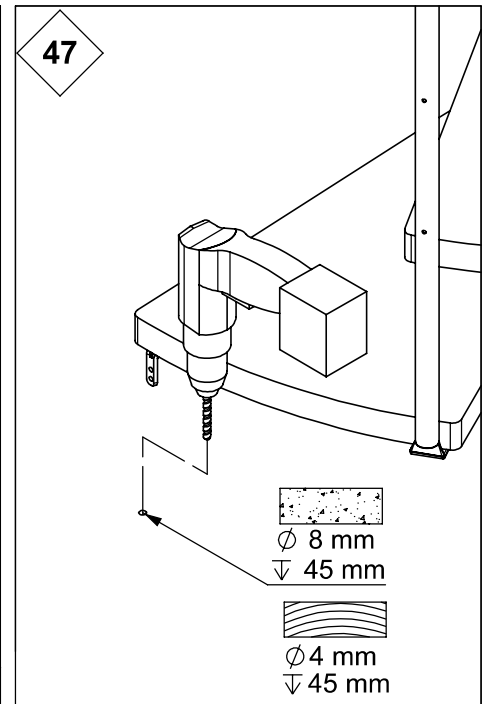
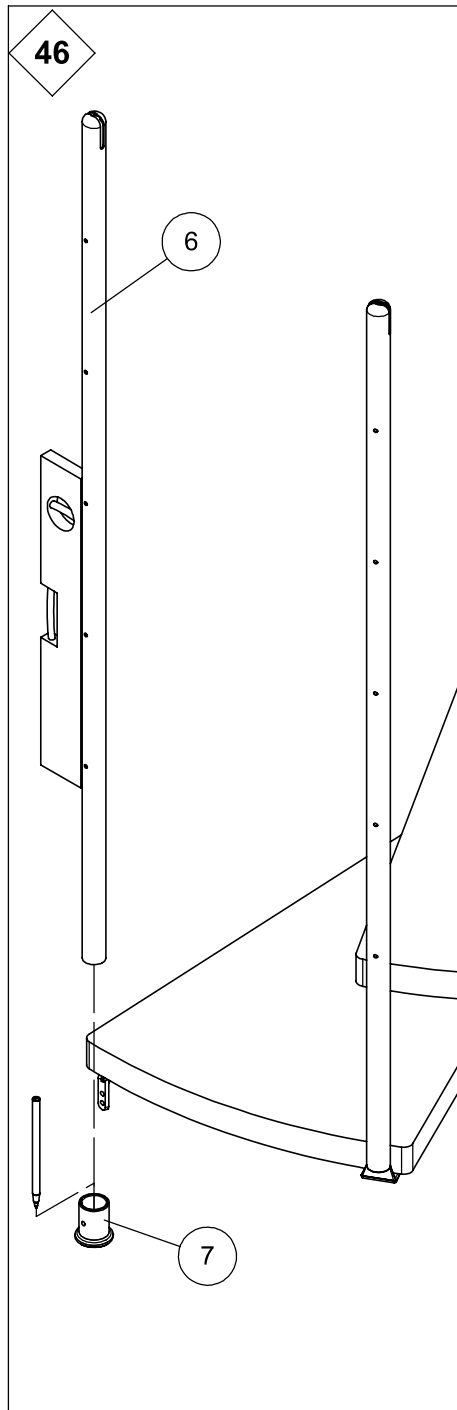
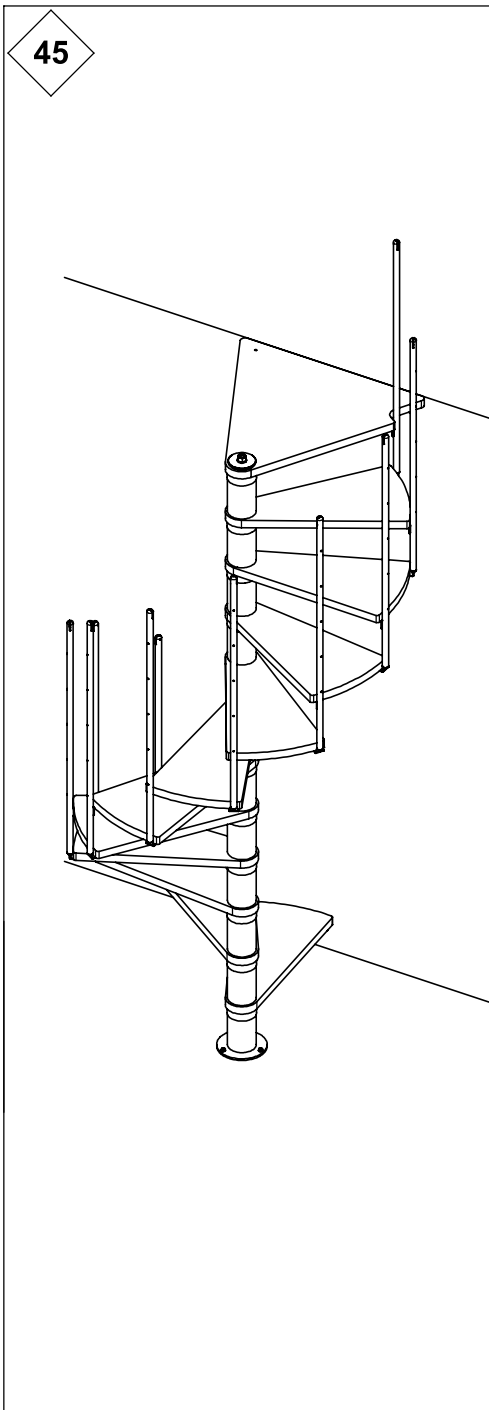
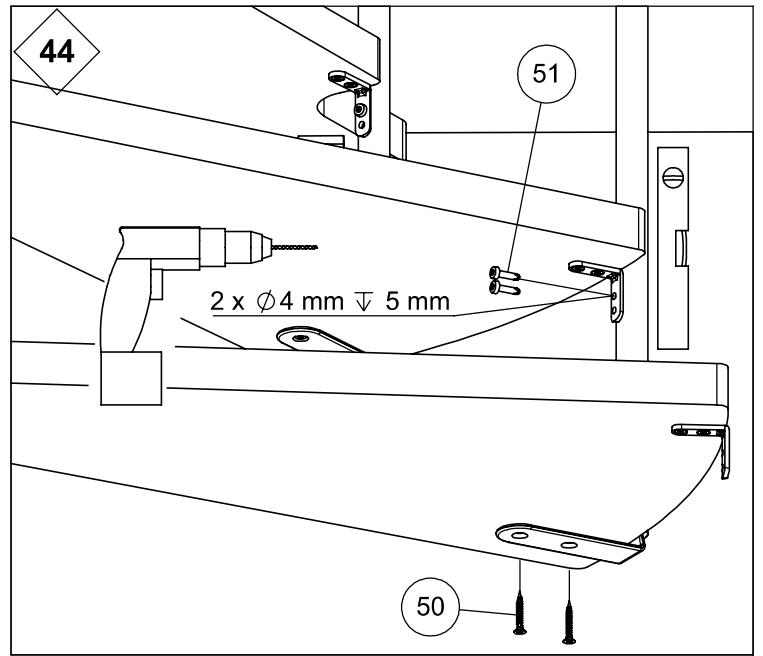
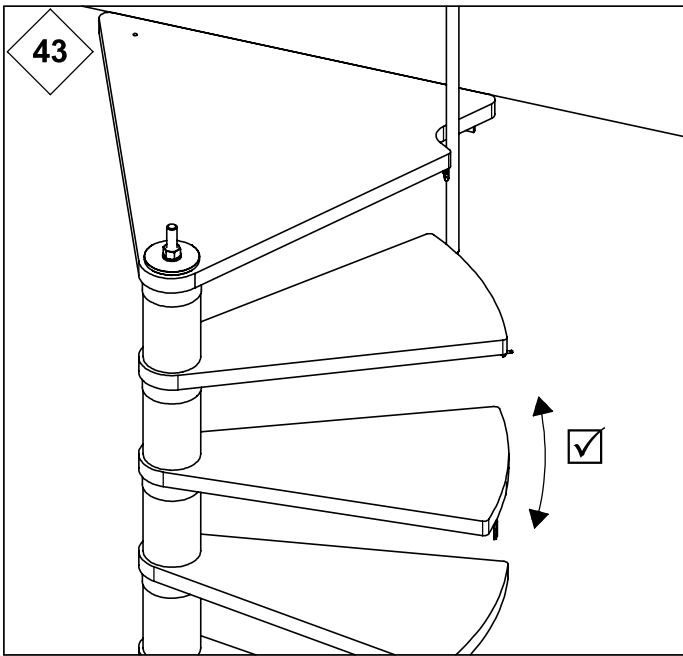
28

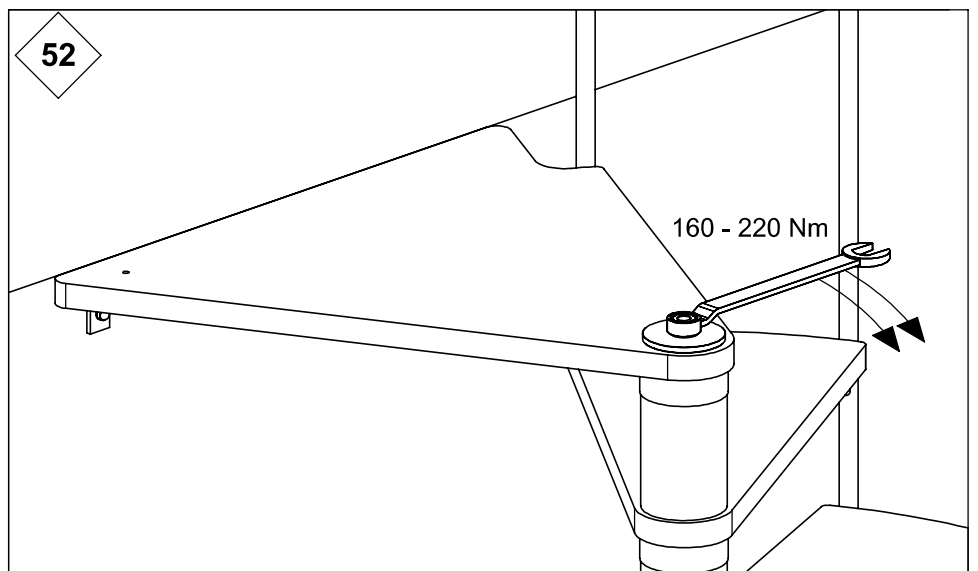
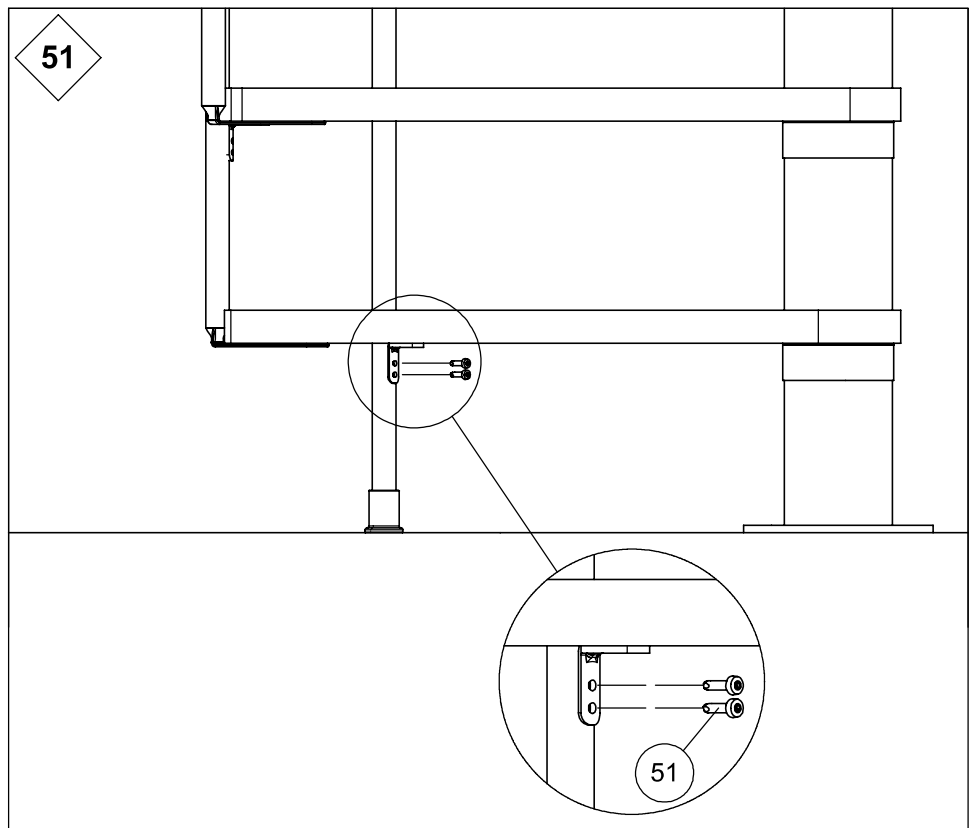
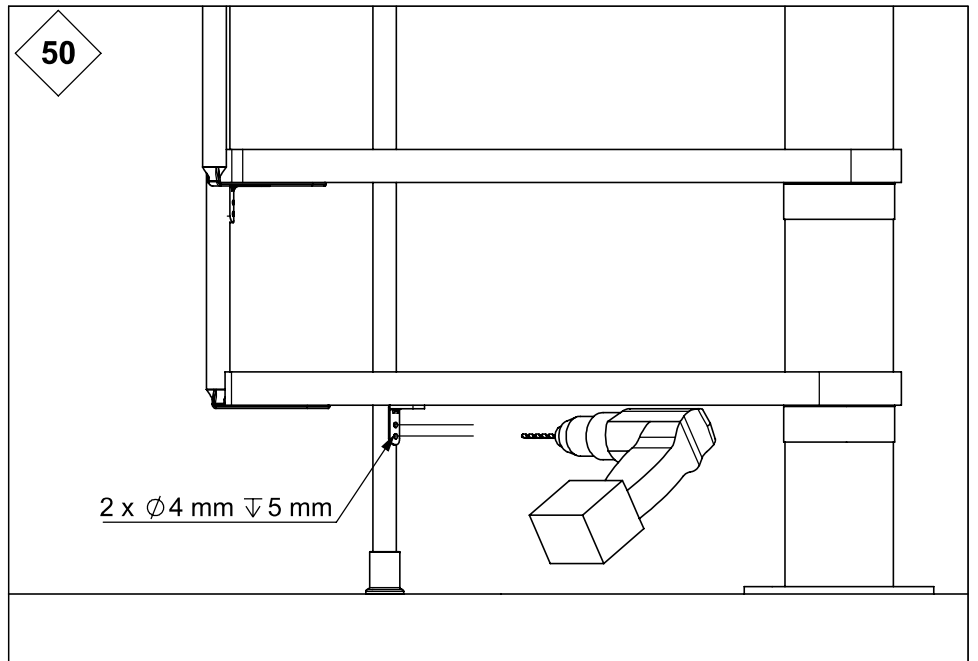
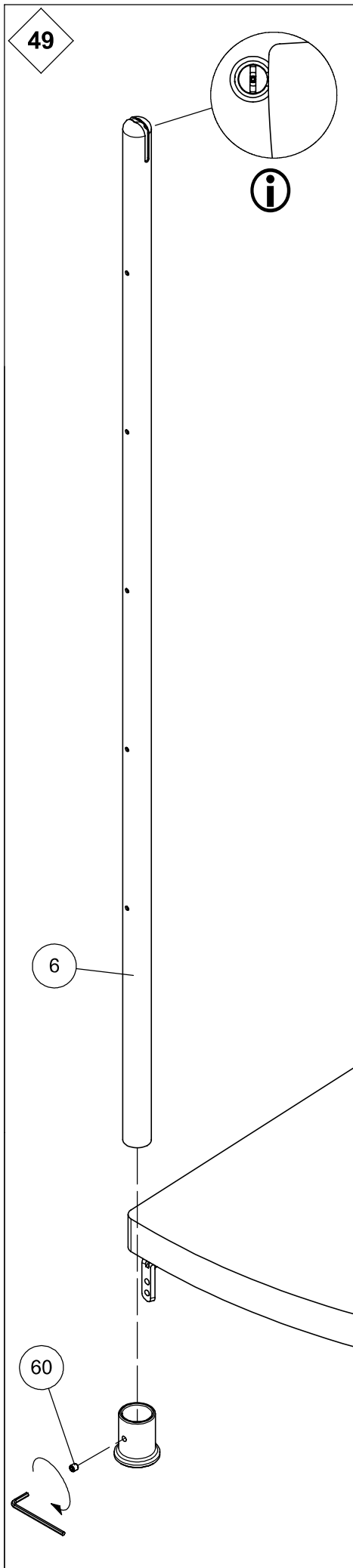


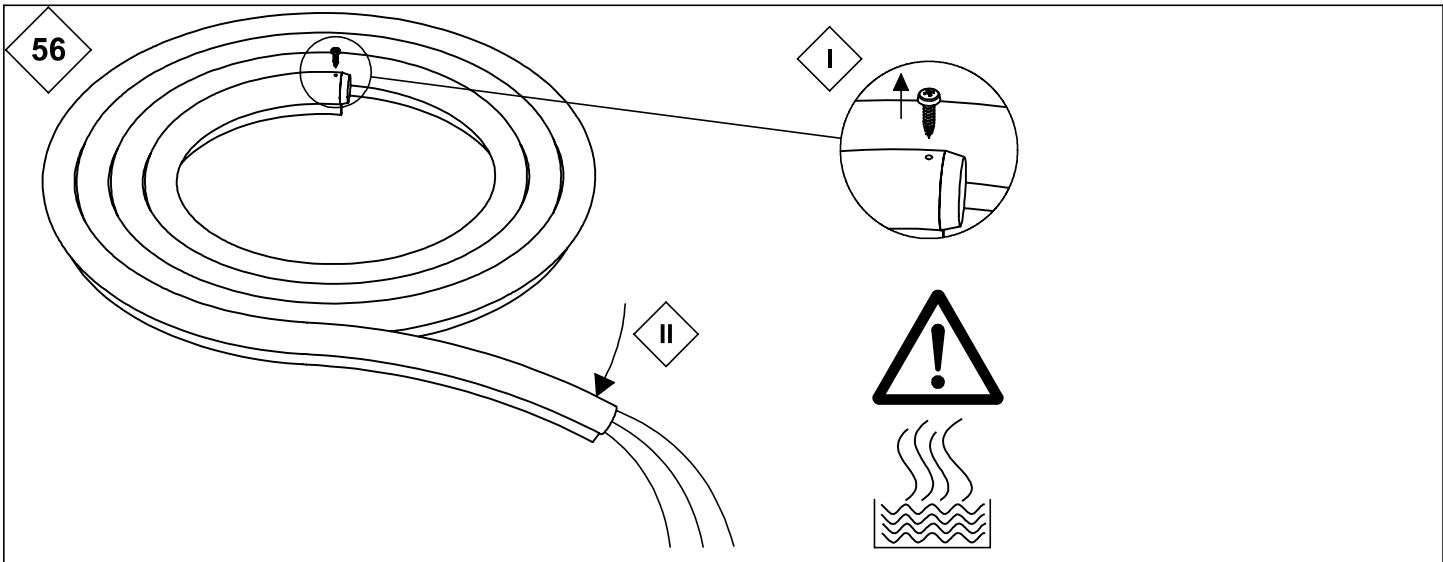
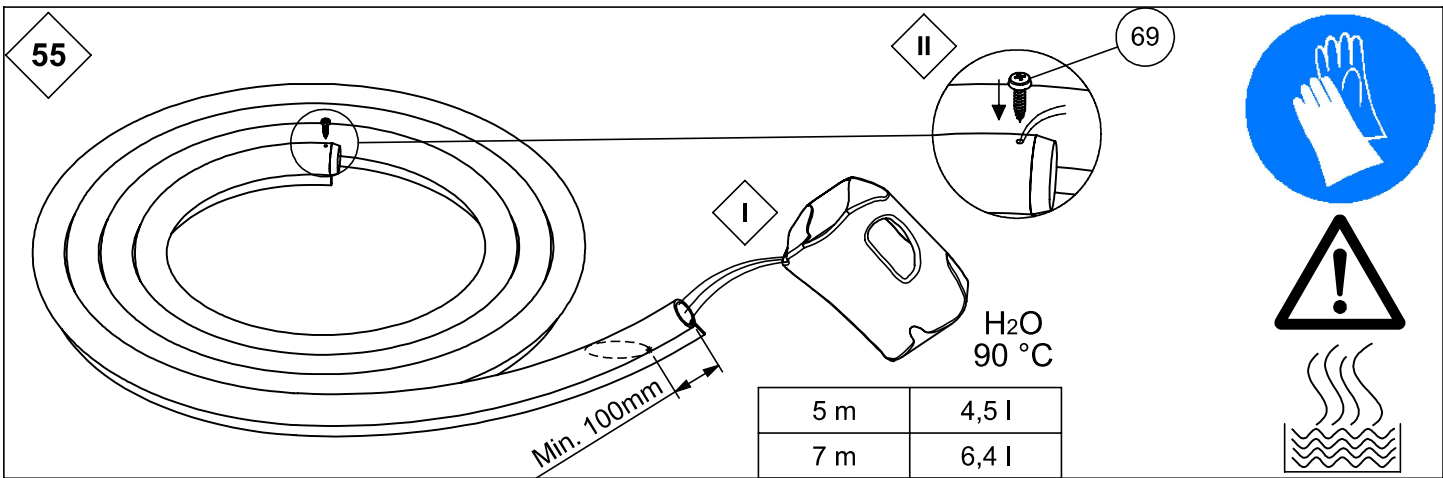
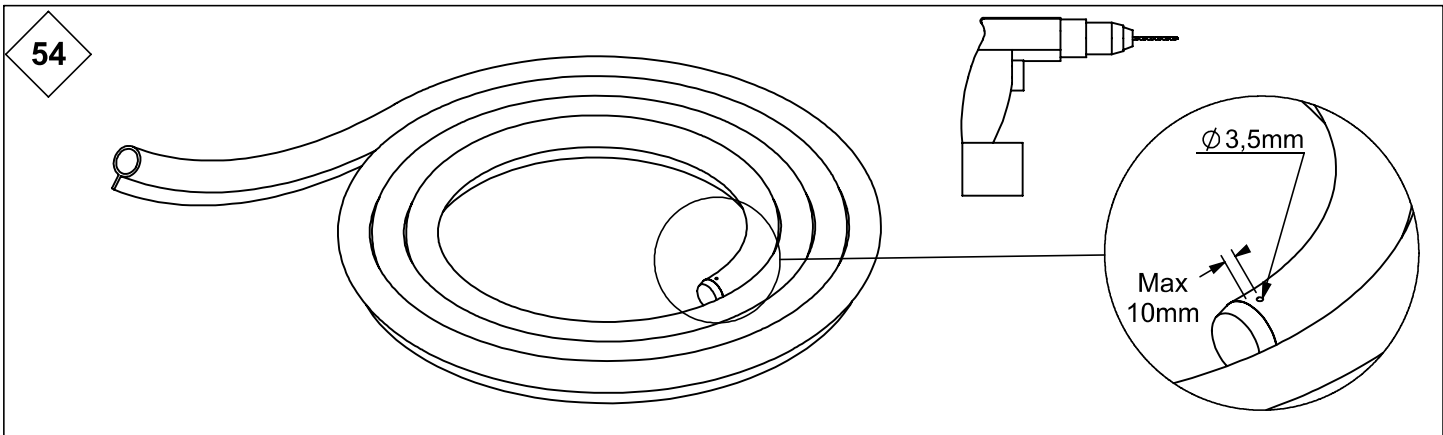
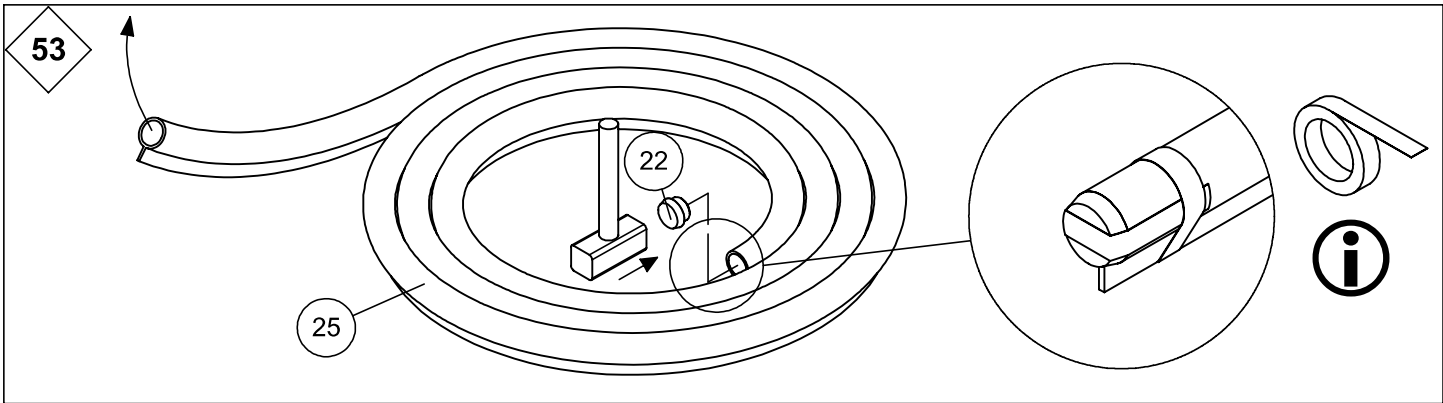
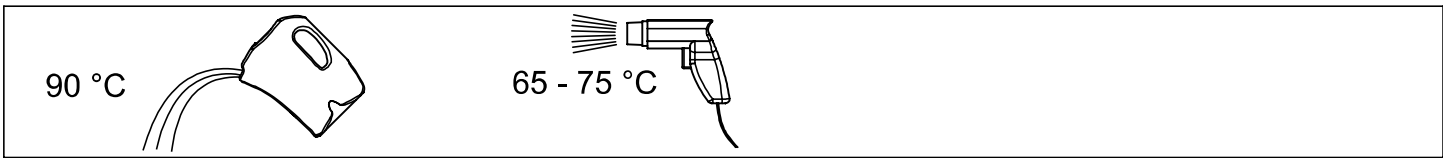


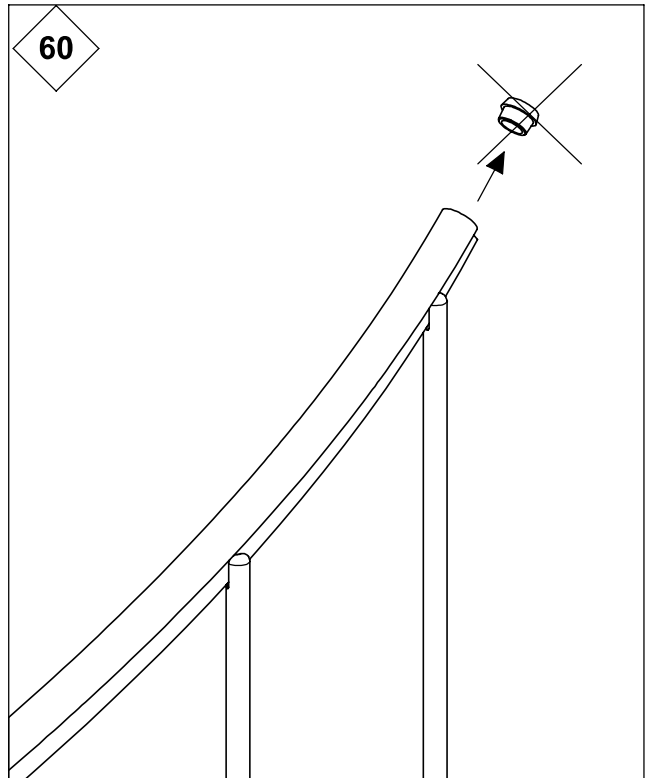
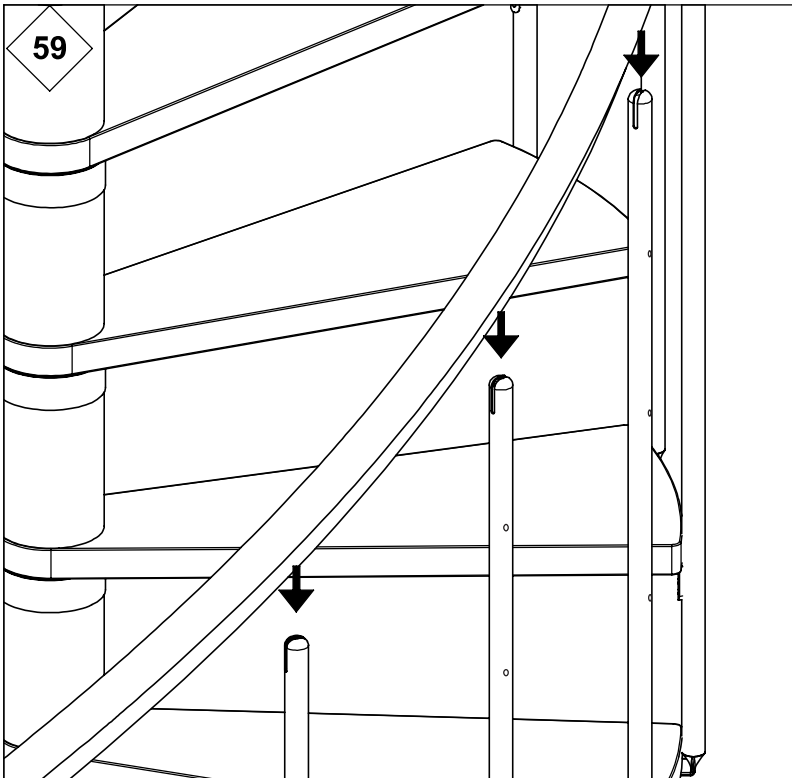
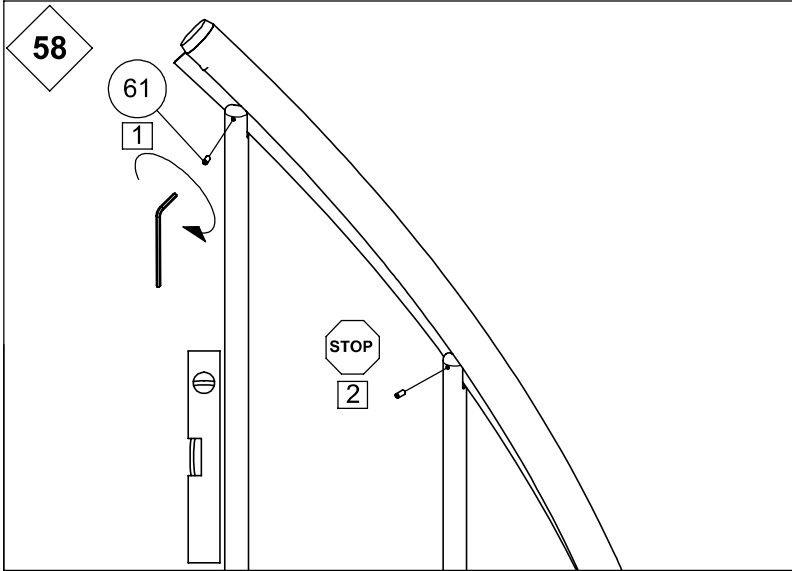
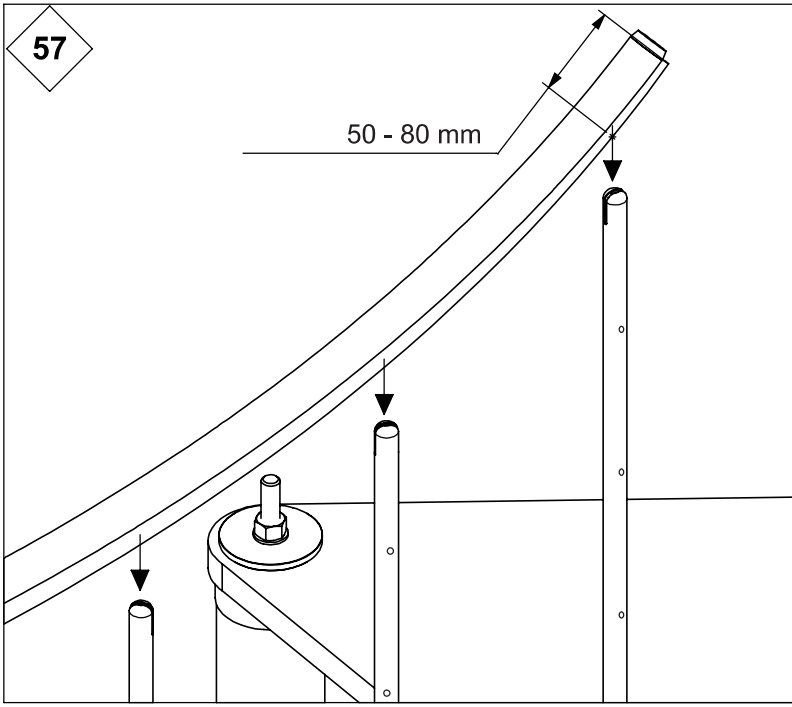




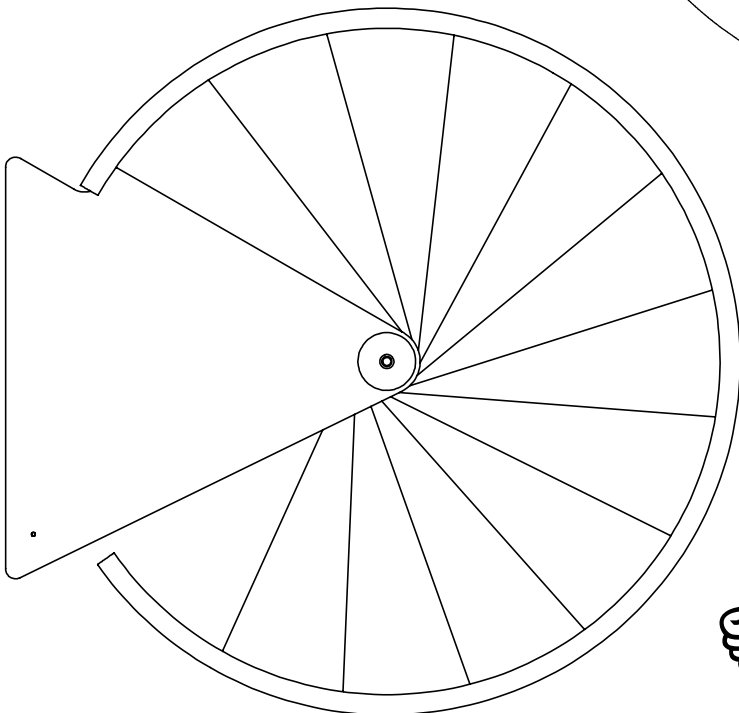
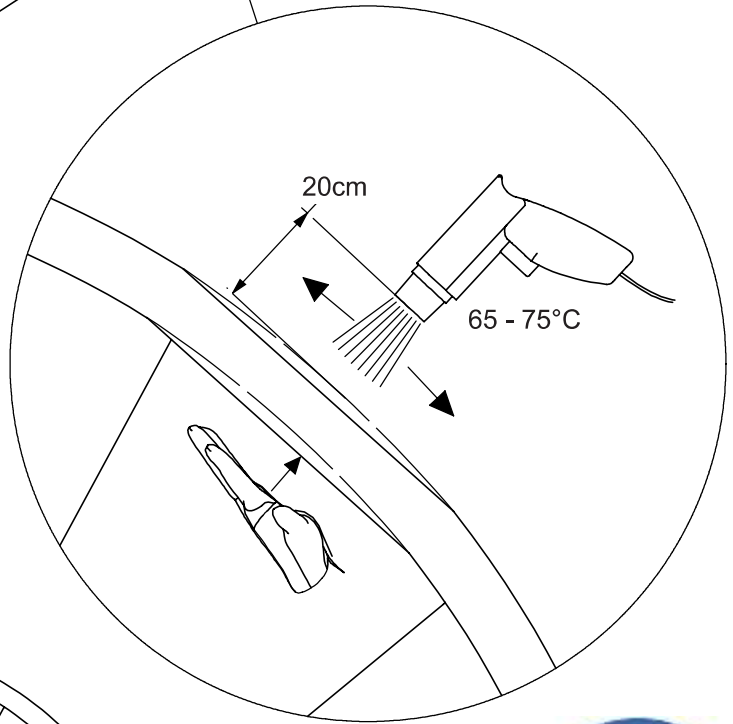
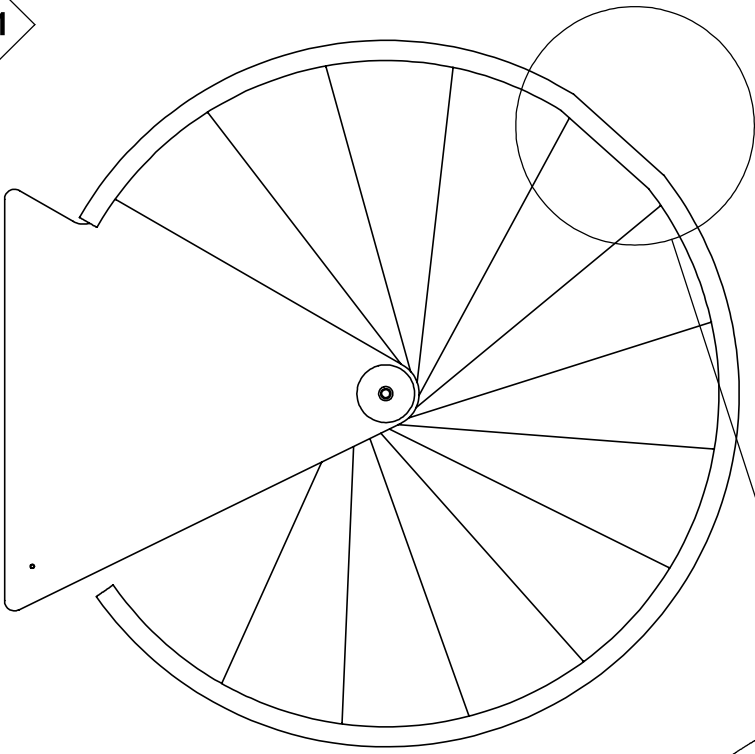


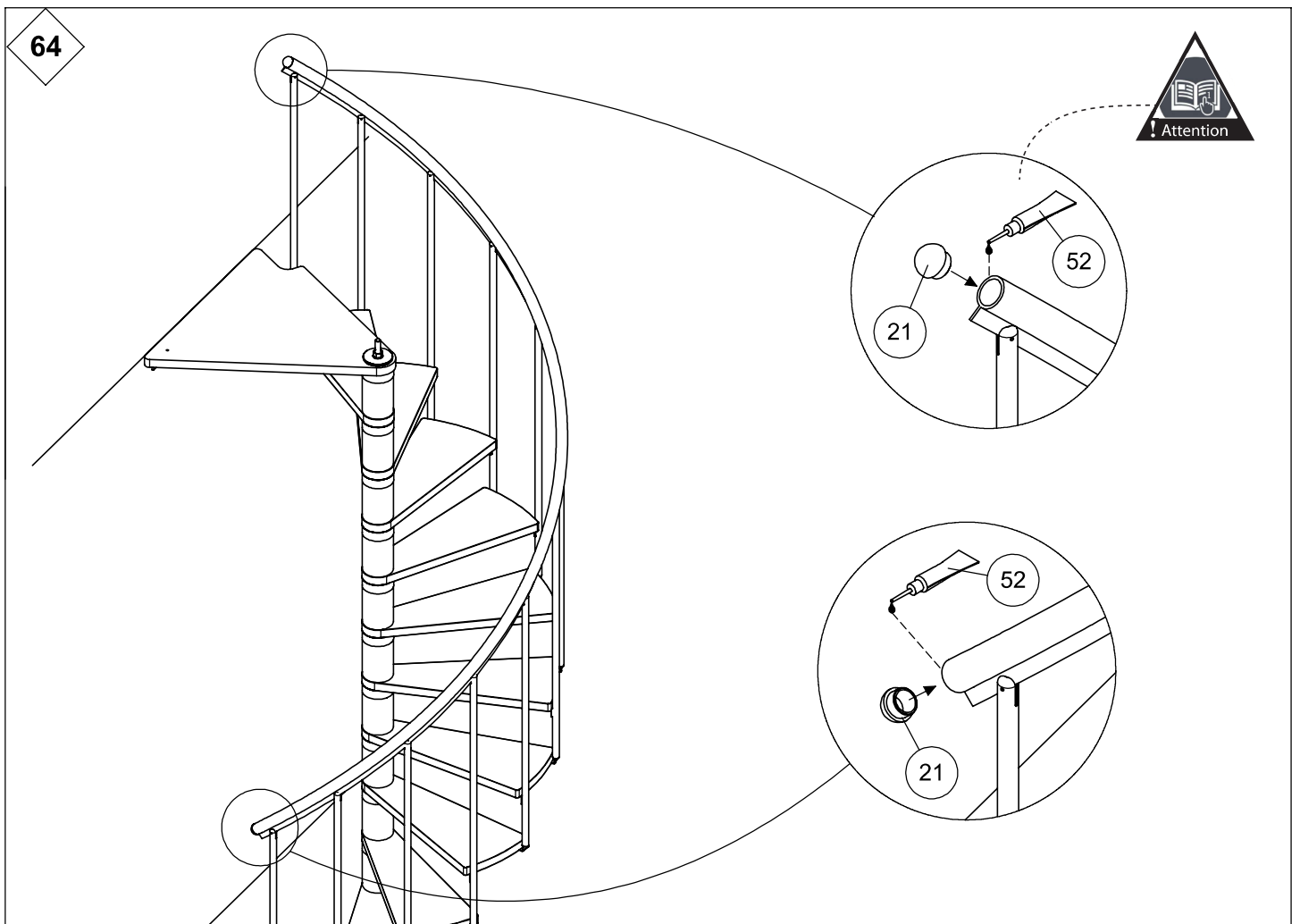
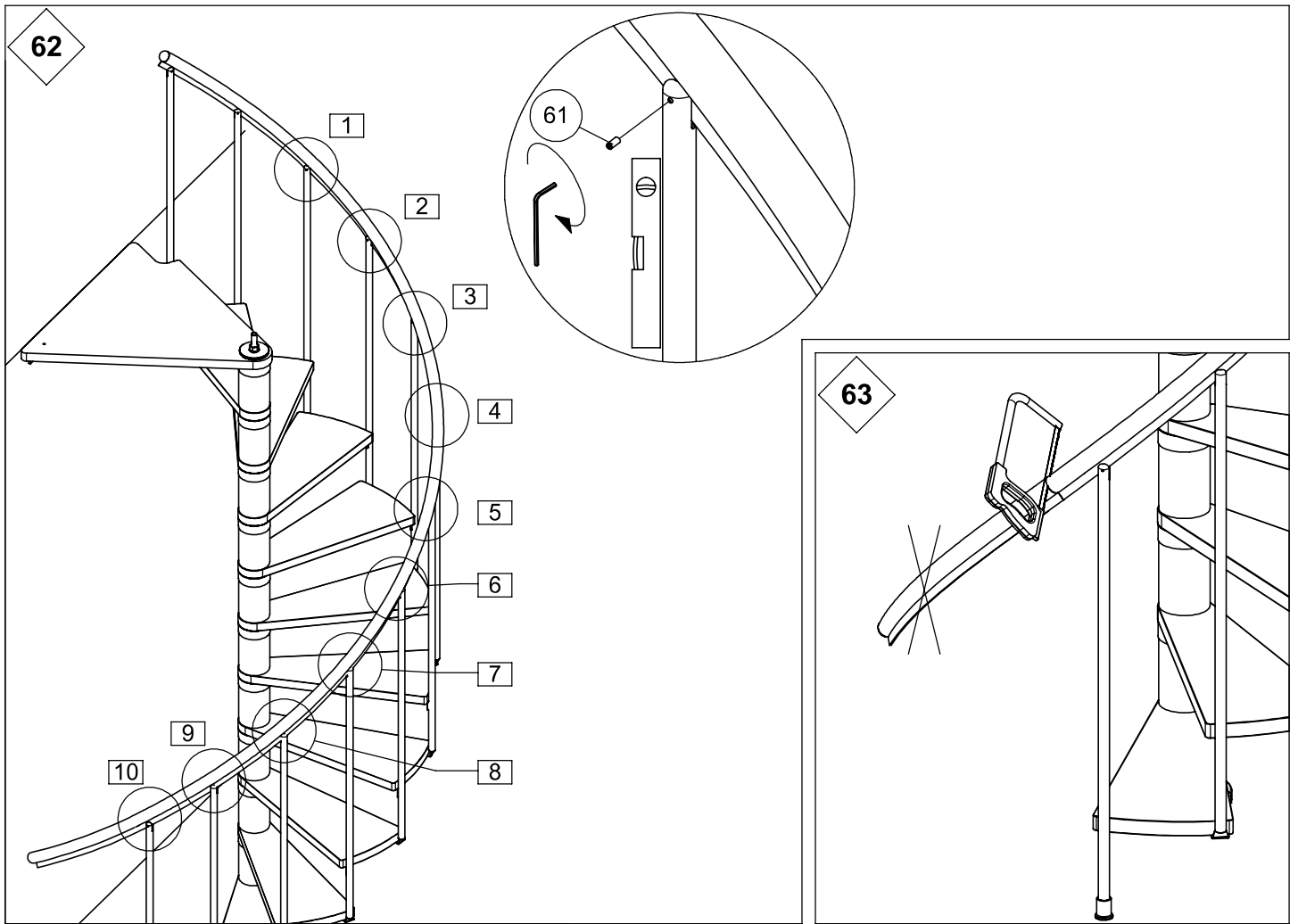


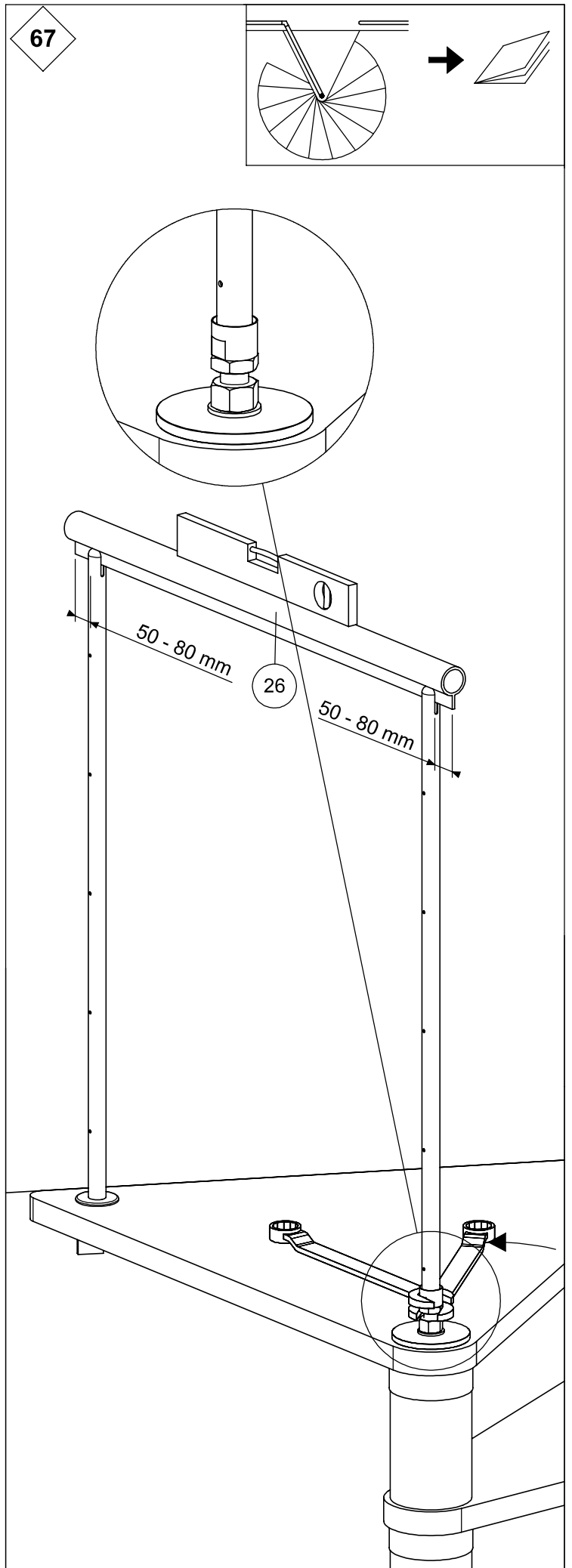
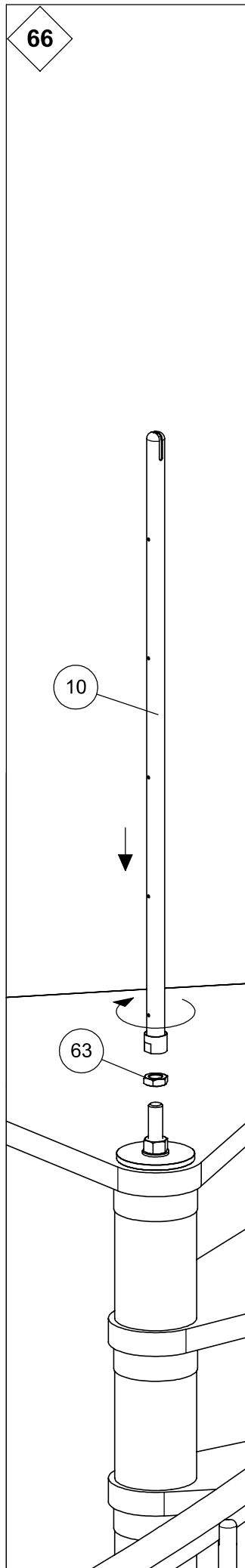
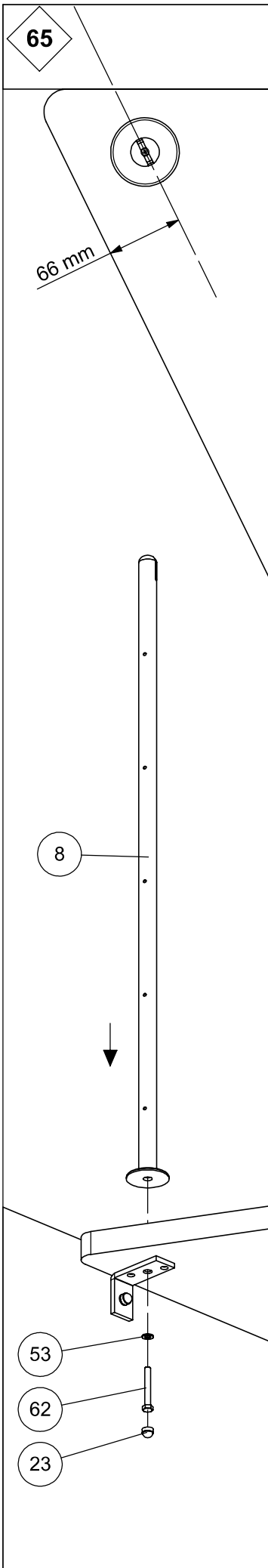




61

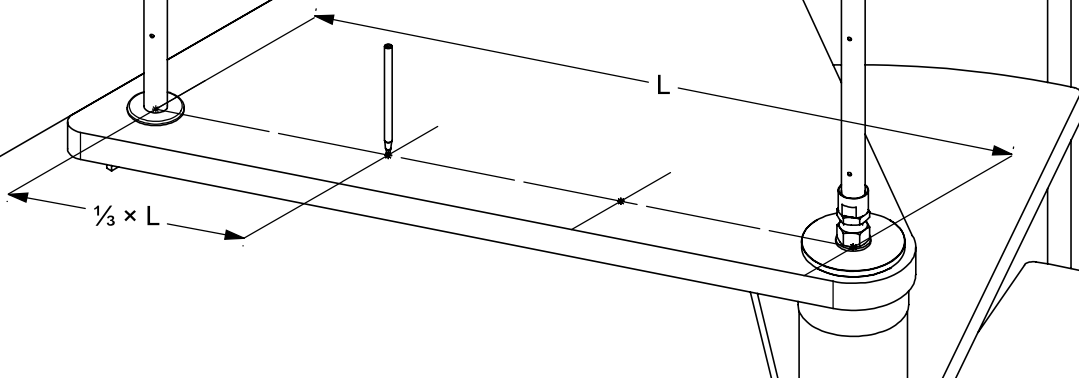




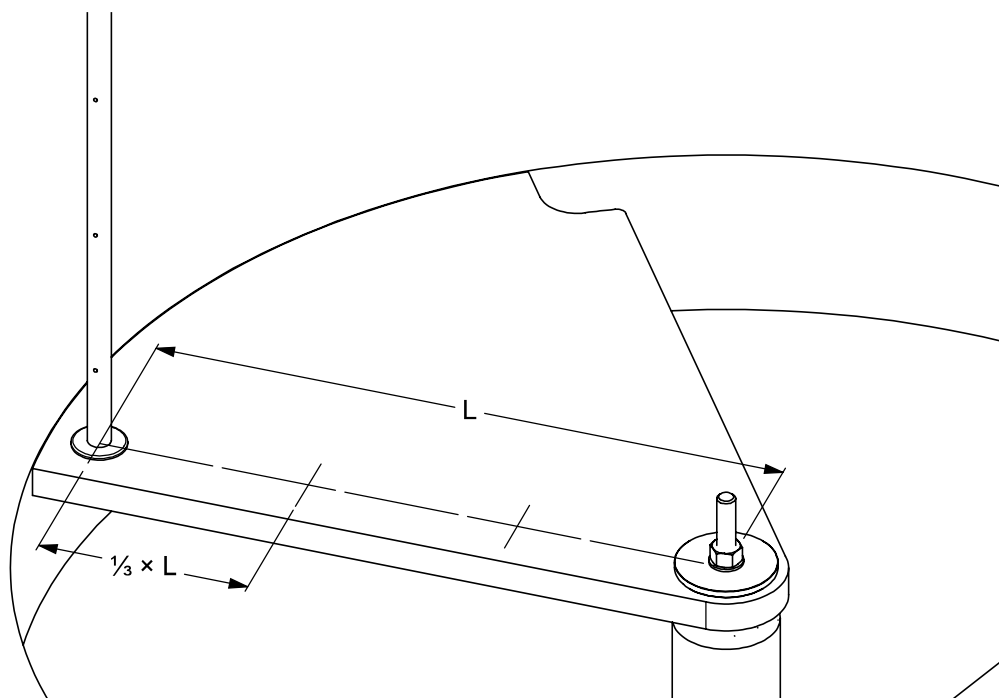


68

	L	$\frac{1}{3} \times L$
$\varnothing$ 120 cm	660 mm	220 mm
$\varnothing$ 140 cm	780 mm	260 mm
$\varnothing$ 160 cm	900 mm	300 mm



	L	$\frac{1}{3} \times L$
$\varnothing$ 120 cm	600 mm	200 mm
$\varnothing$ 140 cm	700 mm	233 mm
$\varnothing$ 160 cm	800 mm	267 mm



69

